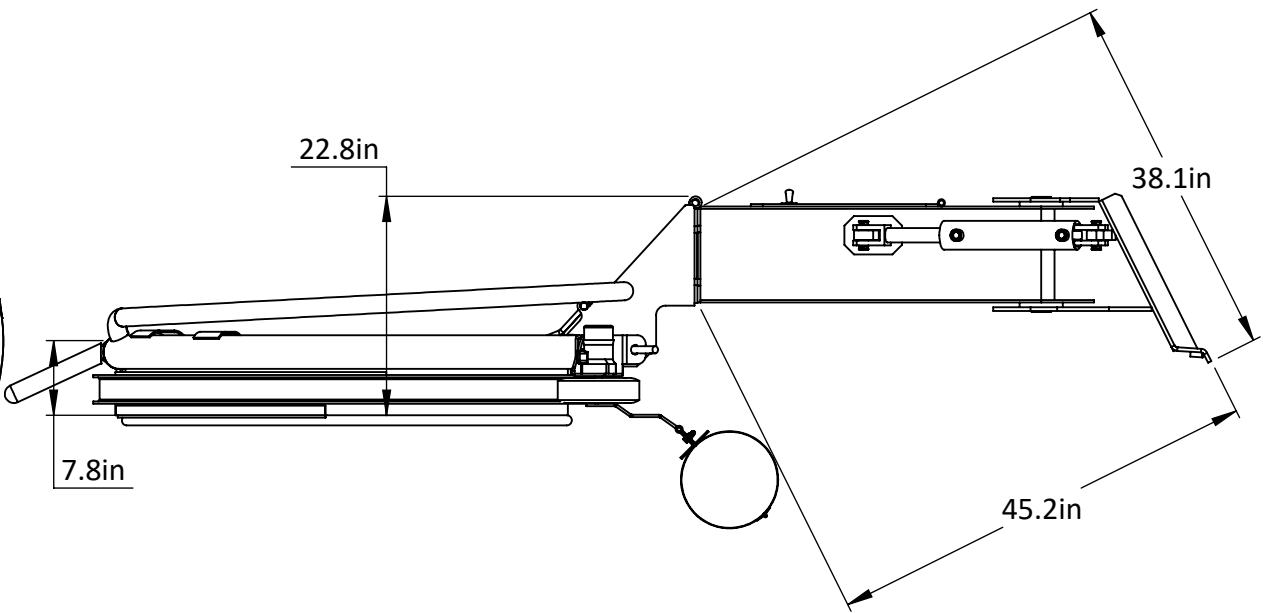
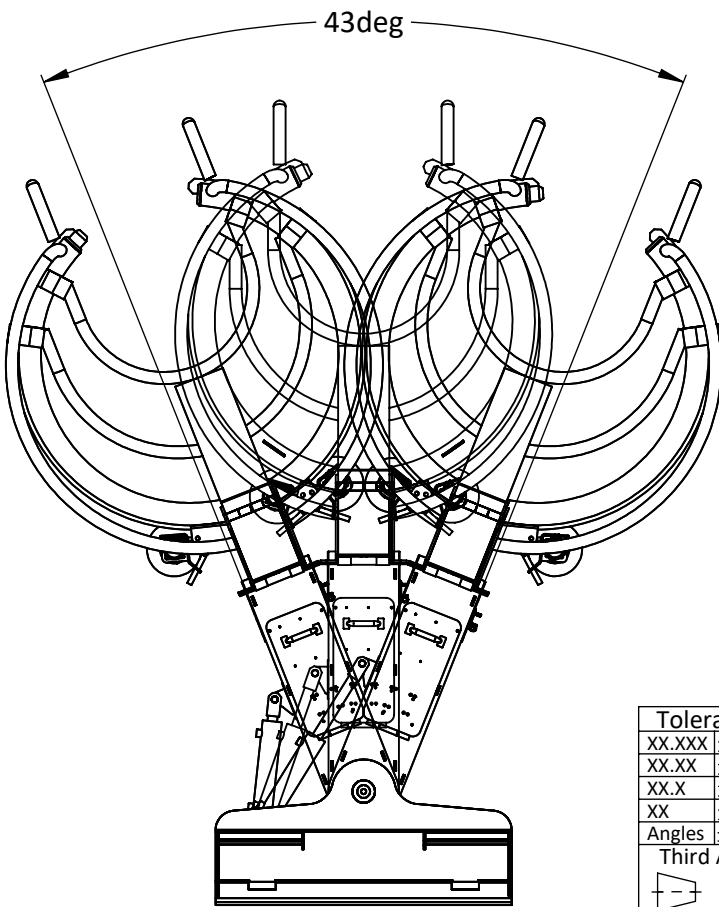
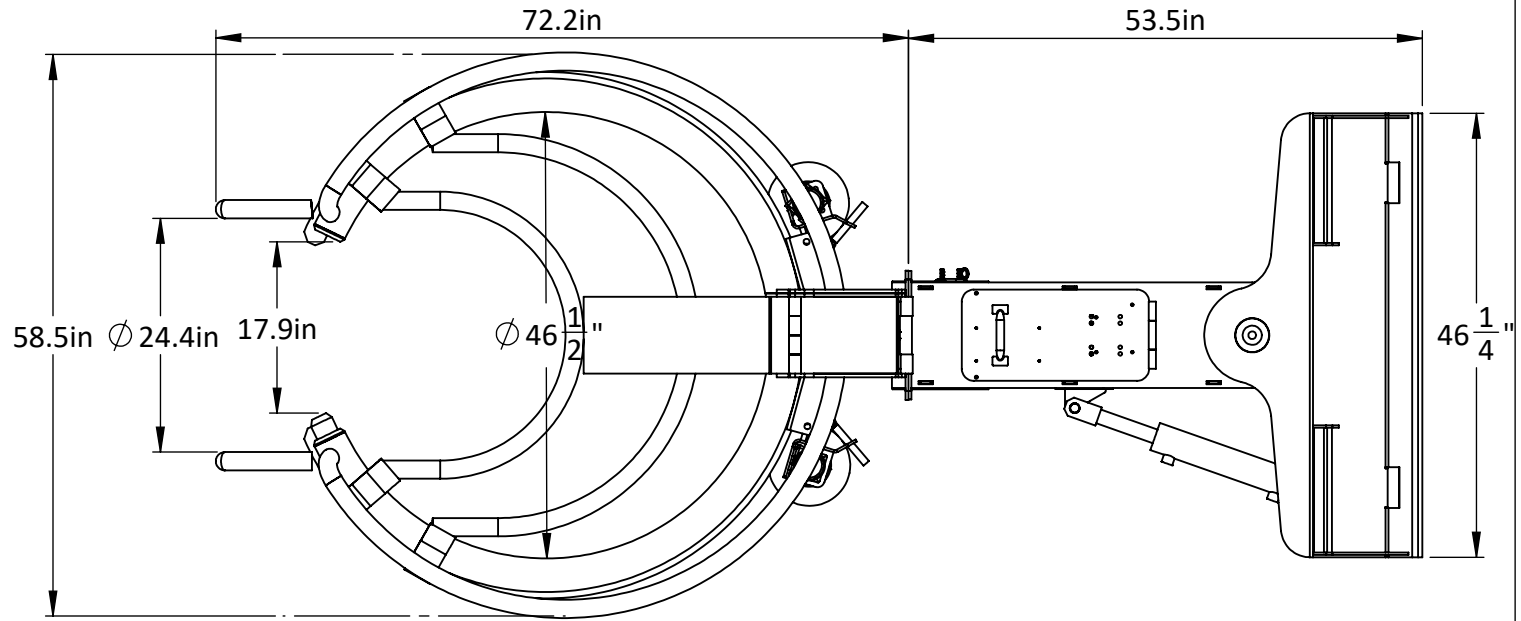
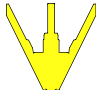
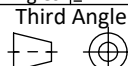


50" Tree Tyer



Tolerances	Assy/Part: [Main] DMI-TYR-050-A4	Quantity:	 Dutchman INDUSTRIES INC. 3735 Sideline 16 N. Brougham, Ontario, Canada, L0H 1A0 1.800.293.0070 www.dutchmantreespade.com				
XX.XXX ±0.008	Drawing: [Specifications] DMI-TYR-050-A4	Revision:					
XX.XX ±0.030	Part #:	Scale: 1:20					
XX.X ±0.075	Material: Material <not specified>	Sheet: 1 of 1					
XX ±0.250		Thickness:					
Angles ±1°	<table border="1"> <tr> <td>$\frac{X}{X} \frac{1}{32}$</td> <td>Unless otherwise noted all units are in: in, lb.</td> </tr> <tr> <td>$\frac{X}{X} \frac{1}{32}$</td> <td>Drawing is not to scale unless noted otherwise.</td> </tr> </table>	$\frac{X}{X} \frac{1}{32}$	Unless otherwise noted all units are in: in, lb.	$\frac{X}{X} \frac{1}{32}$	Drawing is not to scale unless noted otherwise.	Weight: 951.57109	Designer: Ghanshyam Patel
$\frac{X}{X} \frac{1}{32}$	Unless otherwise noted all units are in: in, lb.						
$\frac{X}{X} \frac{1}{32}$	Drawing is not to scale unless noted otherwise.						
Third Angle		Date: 2015-05-27					