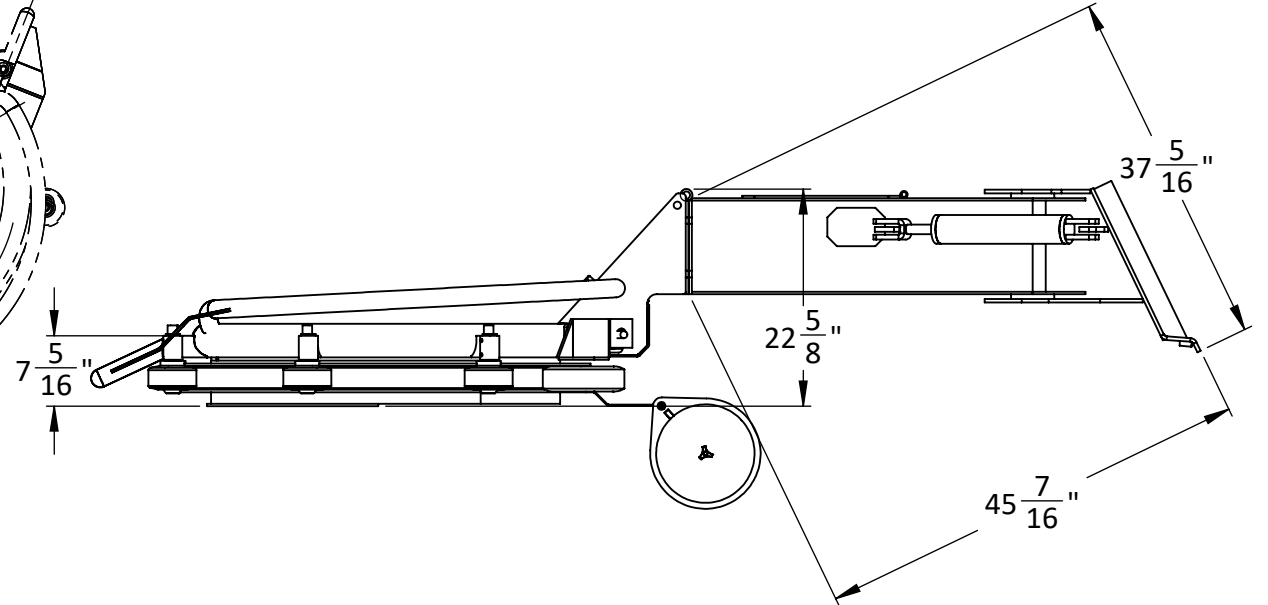
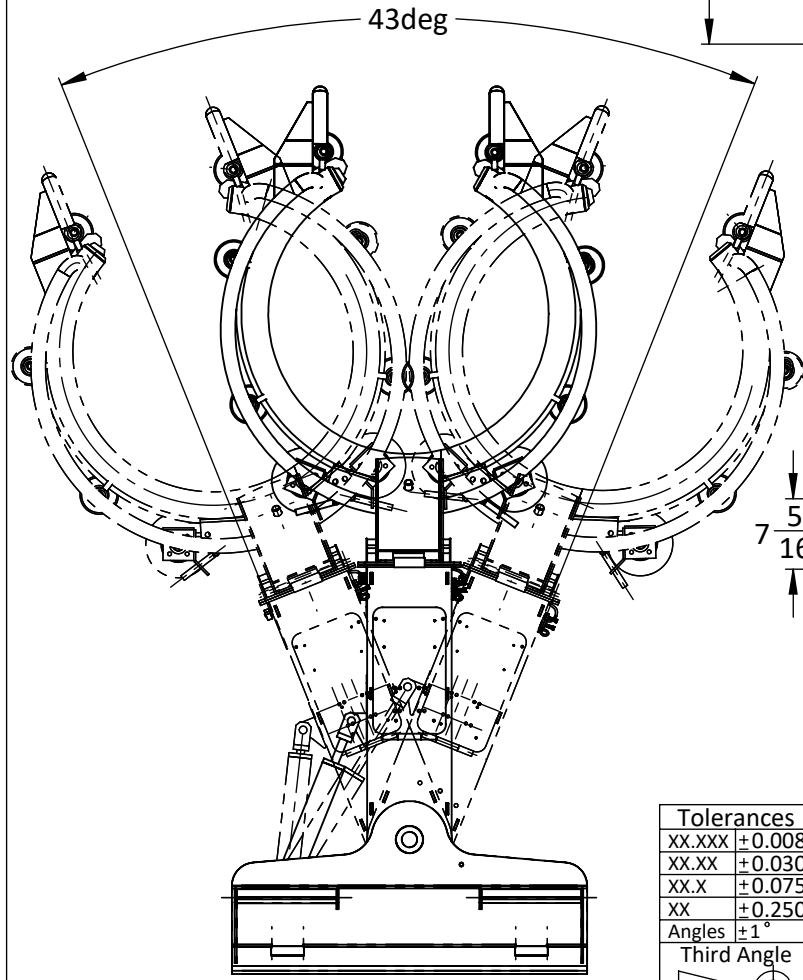
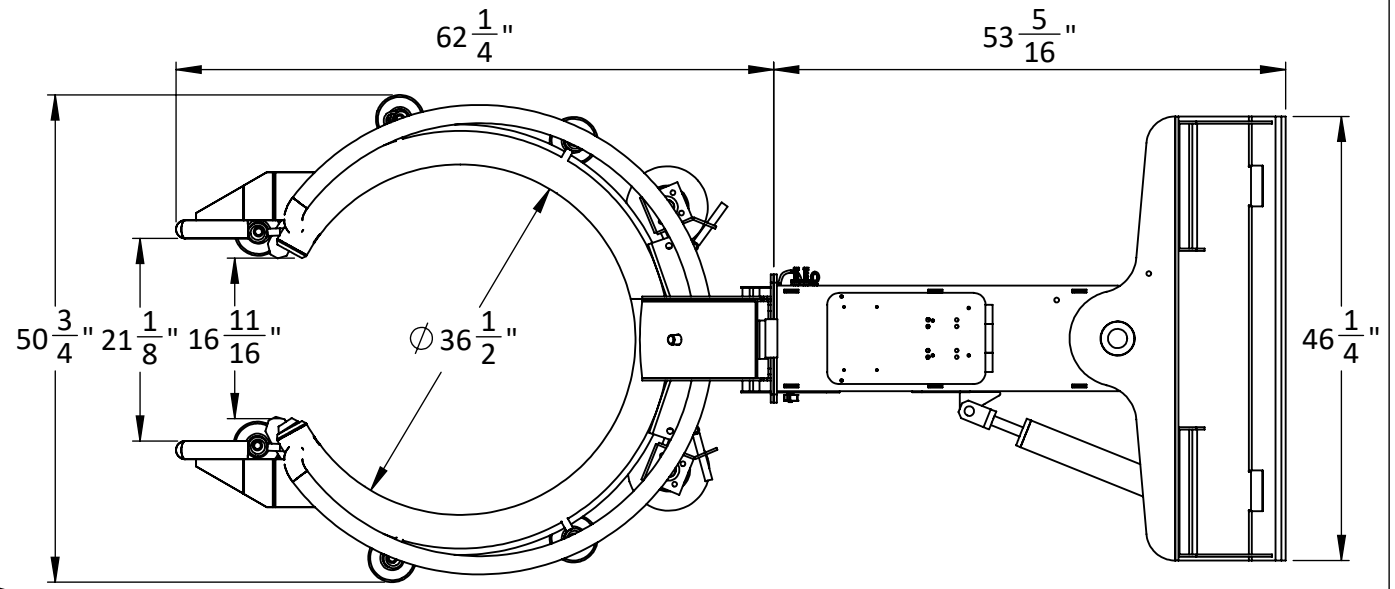
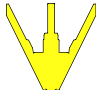


# 40" Tree Tyer



<b>Tolerances</b>	Assy/Part: [Main] DMI-TYR-040-A1	Quantity:		 <b>Dutchman</b> INDUSTRIES INC. <small>3735 Sideline 16 N. Brougham, Ontario, Canada, L0H 1A0          1.800.293.0070          www.dutchmantreespade.com</small>				
XX.XXX ±0.008	Drawing: [Specifications] DMI TYR-040 40in Tree TYR	Revision:						
XX.XX ±0.030	Part #:	Scale:	1:20					
XX.X ±0.075	Material: Material <not specified>	Sheet:	1 of 1					
XX ±0.250		Thickness:		Designer: Ghanshyam Patel				
Angles ±1°	<table border="1"> <tr> <td><math>\frac{X}{X} \frac{1}{32}</math></td> <td>Unless otherwise noted all units are in: in, lb.</td> </tr> <tr> <td><math>\frac{X}{X} \frac{1}{32}</math></td> <td>Drawing is not to scale unless noted otherwise.</td> </tr> </table>	$\frac{X}{X} \frac{1}{32}$	Unless otherwise noted all units are in: in, lb.	$\frac{X}{X} \frac{1}{32}$	Drawing is not to scale unless noted otherwise.	Weight:	796.38727	Date: 10/31/2017
$\frac{X}{X} \frac{1}{32}$	Unless otherwise noted all units are in: in, lb.							
$\frac{X}{X} \frac{1}{32}$	Drawing is not to scale unless noted otherwise.							
Third Angle	Proprietary and confidential. Do not distribute the information contained in this drawing without written permission from Dutchman Industries Inc.							