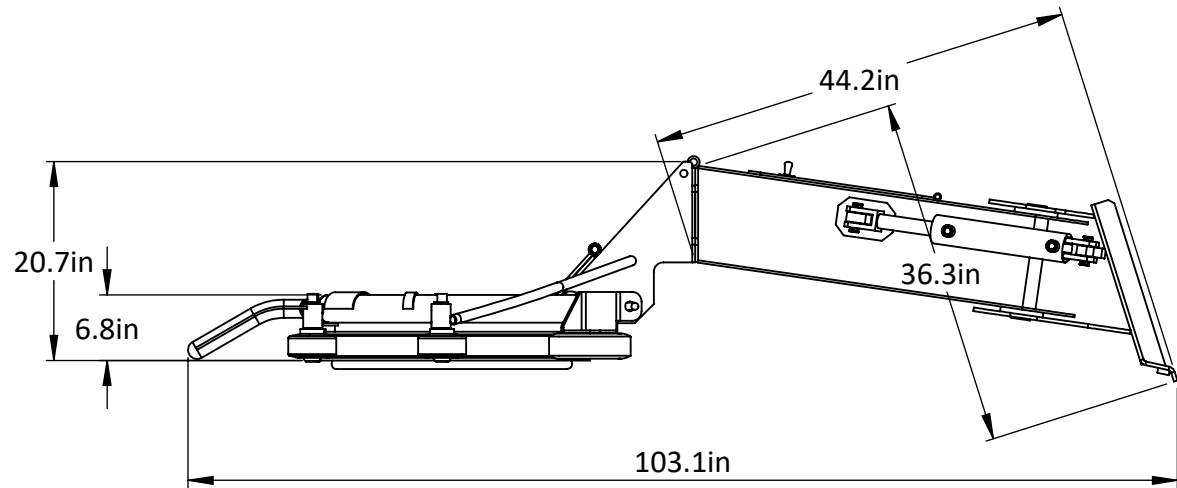
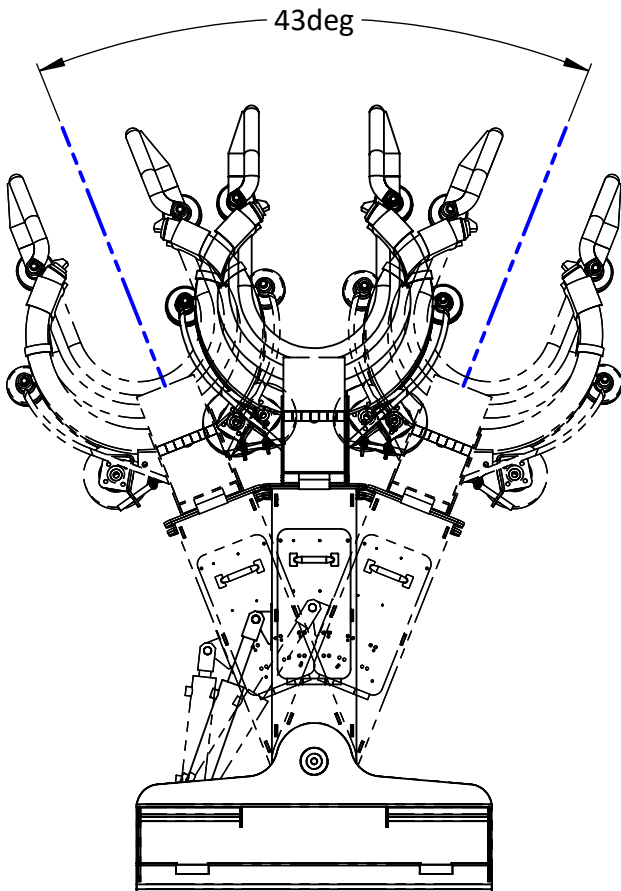
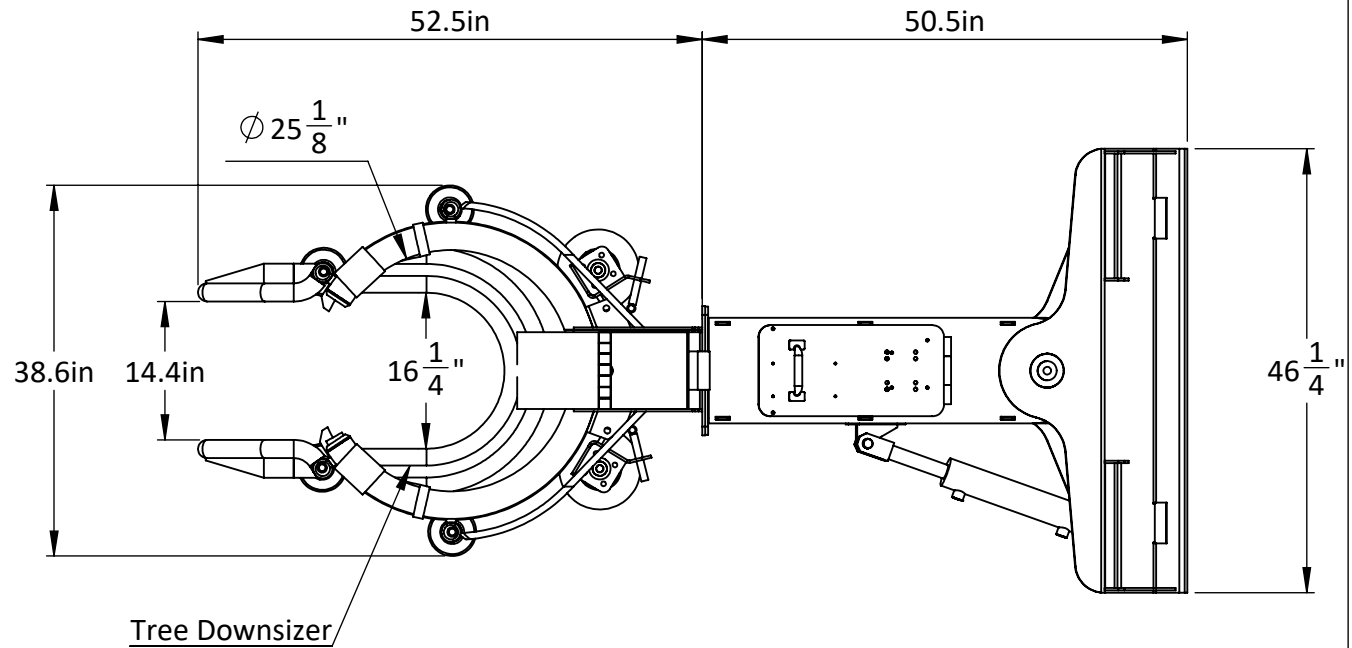
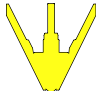
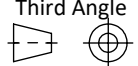


28" Tree Tyer



Tolerances	Assy/Part: [Main] DMI-TYR-028-A4	Quantity:		 Dutchman INDUSTRIES INC. 3735 Sideline 16 N. Brougham, Ontario, Canada, L0H 1A0 1.800.293.0070 www.dutchmantreespade.com
XX.XXX ±0.008	Drawing: [Specifications] DMI-TYR-028-A4	Revision:		
XX.XX ±0.030	Part #:	Scale:	1:15	
XX.X ±0.075	Material:	Sheet:	1 of 1	
XX ±0.250		Thickness:		Designer:
Angles ±1°		Weight:		Date:
Third Angle	$\frac{X}{X}$ " $\frac{1}{32}$ " Unless otherwise noted all units are in: in, lb. Drawing is not to scale unless noted otherwise.			2018-09-18
	Proprietary and confidential. Do not distribute the information contained in this drawing without written permission from Dutchman Industries Inc.			