



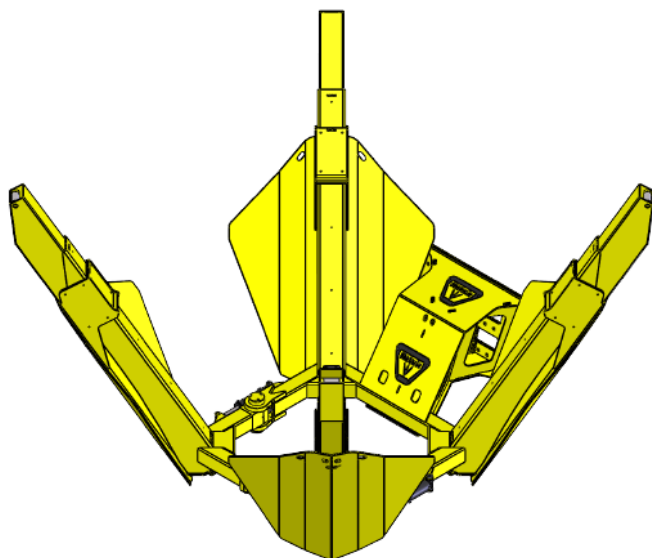
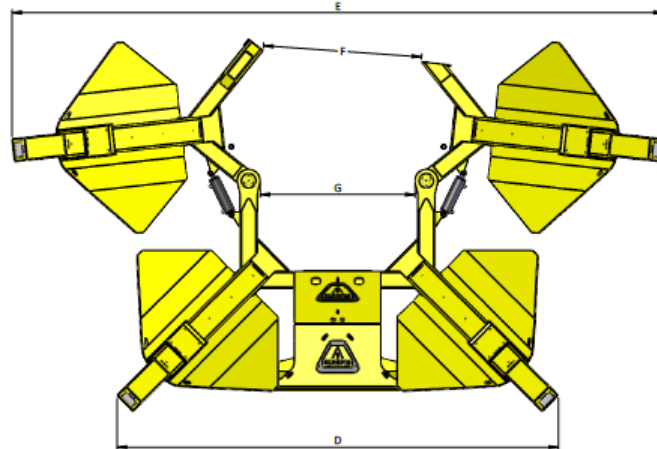
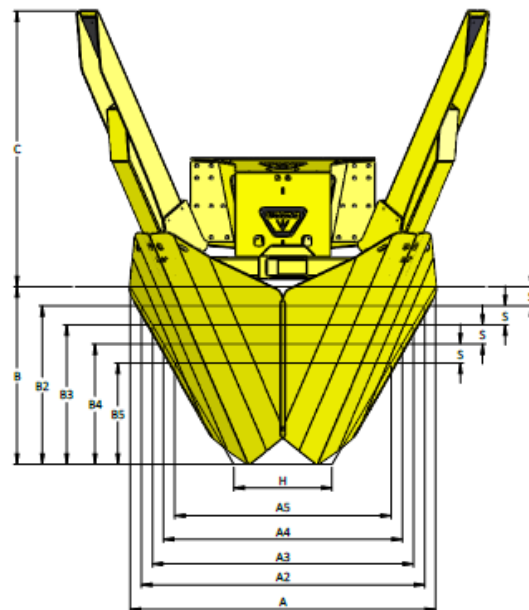
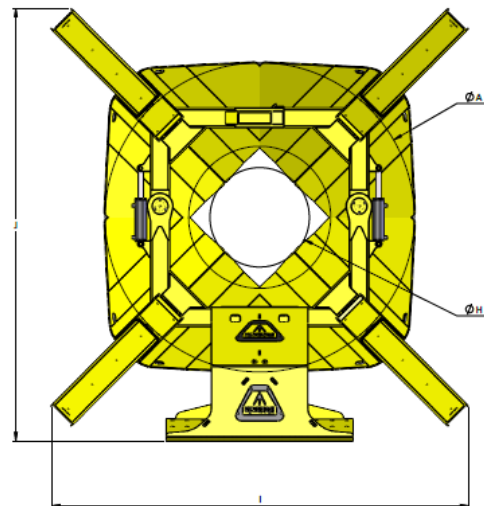
960i

4 BLADE 30 DEGREE INSIDE FRAME

Basic Machine:

Maximum Rootball Diameter	A	96.0"	243.9 cm
Root Ball Depth	B	55.8"	141.8 cm
Working Height	C	86.6"	220.0 cm
Working Width (Closed)	D	153.1"	388.8 cm
Working Width (Open)	E	226.1"	574.2 cm
Open Gate Clearance	F	55.0"	139.6 cm
Inner Diameter (Max Trunk Size)	G	53.7"	136.5 cm
Lower Rootball Diameter	H	30.9"	78.4 cm
Closed Width	I	129.4"	328.7 cm
Overall Length	J	134.3"	341.1 cm
Machine Weight	M	7000 lbs	3175 kg
Rootball Volume	V	111 ft ³	3.14 m ³
Rootball Weight	W	9450 lbs	4275 kg
Rootball Diameter 2	A2	89.0"	226.1 cm
Rootball Diameter 3	A3	82.0"	208.3 cm
Rootball Diameter 4	A4	75.0"	190.5 cm
Rootball Diameter 5	A5	68.0"	172.8 cm
Rootball Depth 2	B2	49.8"	126.6 cm
Rootball Depth 3	B3	43.8"	111.4 cm
Rootball Depth 4	B4	37.8"	96.1 cm
Rootball Depth 5	B5	31.8"	80.9 cm
Rootball Height Spacing	S	6.0"	15.2 cm

All specifications are approximate.



Dutchman
INDUSTRIES INC.
www.dutchmantreespade.com

Contact:
905-683-8233
800-293-0070
info@dutchmantreespade.com