



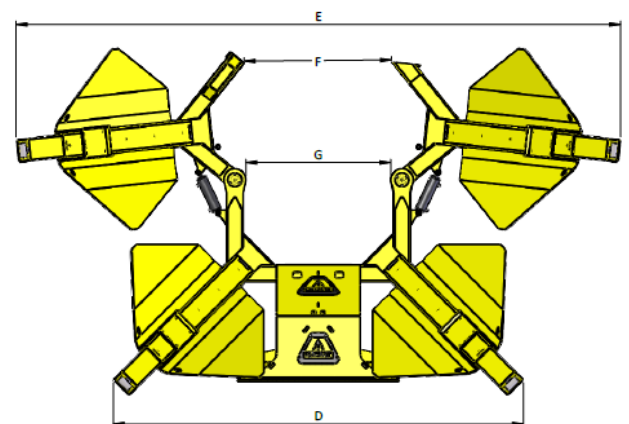
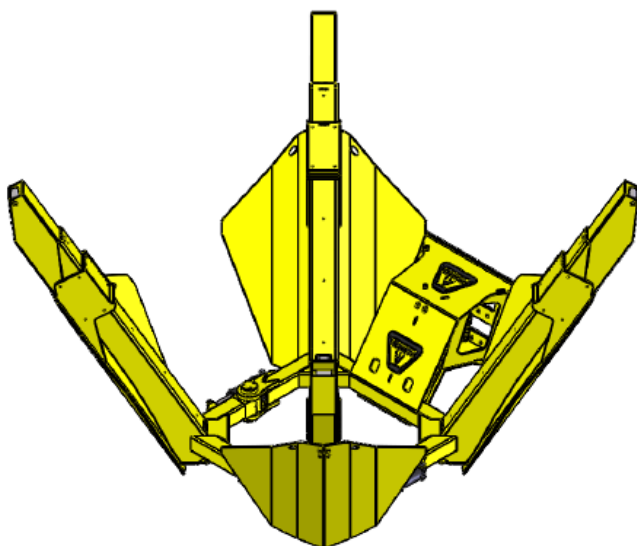
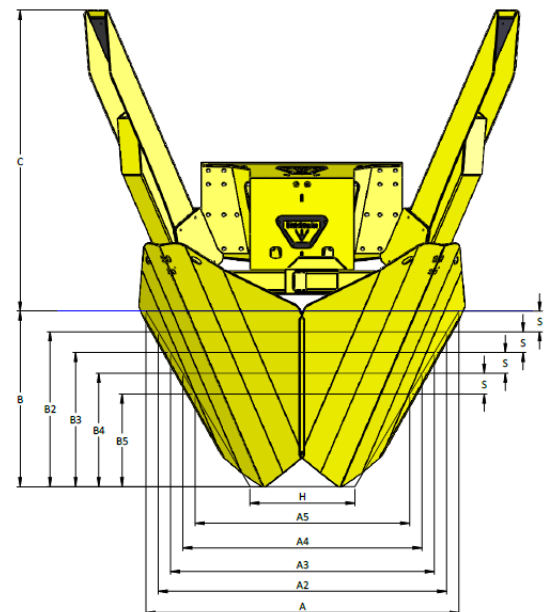
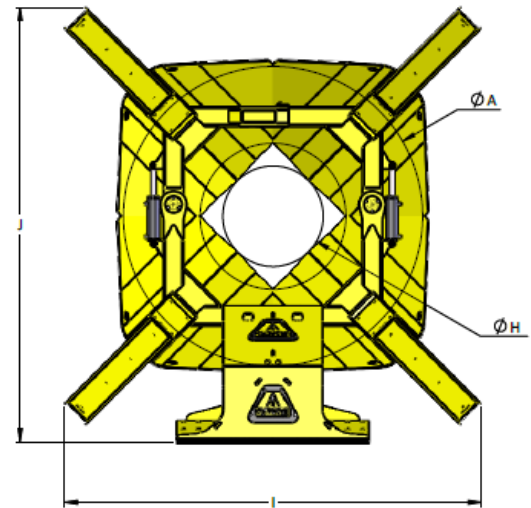
900i

4 BLADE 30 DEGREE INSIDE FRAME

Basic Machine:

Maximum Rootball Diameter	A	90.3"	229.3 cm
Root Ball Depth	B	50.7"	128.8 cm
Working Height	C	86.9"	220.6 cm
Working Width (Closed)	D	147.0"	373.3 cm
Working Width (Open)	E	216.6"	550.2 cm
Open Gate Clearance	F	52.7"	134.0 cm
Inner Diameter (Max Trunk Size)	G	51.9"	131.9 cm
Lower Rootball Diameter	H	30.3"	76.9 cm
Closed Width	I	125.7"	319.3 cm
Overall Length	J	130.8"	332.1 cm
Machine Weight	M	6800 lbs	3100 kg
Rootball Volume	V	90.7 ft ³	2.57 m ³
Rootball Weight	W	7700 lbs	3500 kg
Rootball Diameter 2	A2	83.2"	211.2 cm
Rootball Diameter 3	A3	76.1"	193.2 cm
Rootball Diameter 4	A4	69.0"	175.2 cm
Rootball Diameter 5	A5	61.9"	157.1 cm
Rootball Depth 2	B2	44.7"	113.5 cm
Rootball Depth 3	B3	38.7"	98.3 cm
Rootball Depth 4	B4	32.7"	83.0 cm
Rootball Depth 5	B5	26.7"	67.8 cm
Rootball Height Spacing	S	6.0"	15.2 cm

All specifications are approximate.



Dutchman
INDUSTRIES INC.
www.dutchmantreespade.com

Contact:
905-683-8233
800-293-0070
info@dutchmantreespade.com