



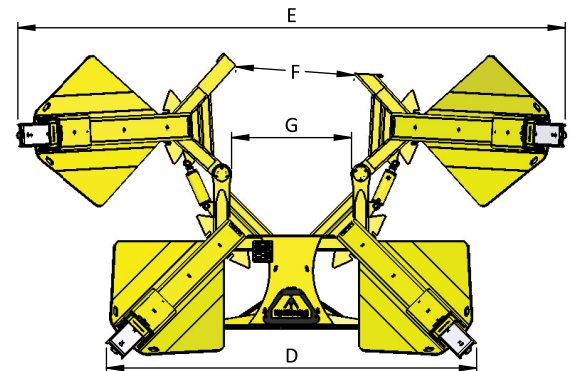
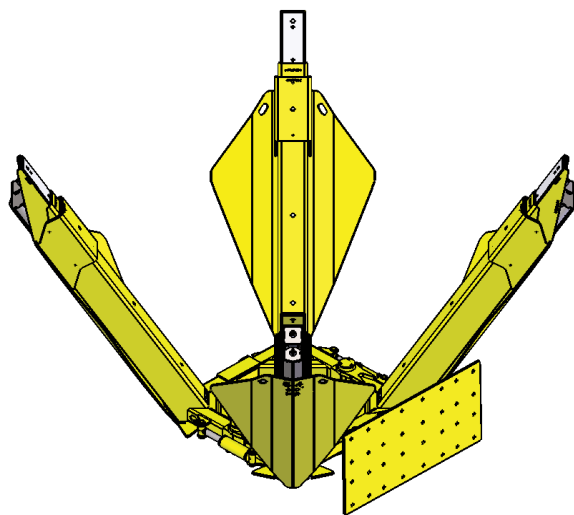
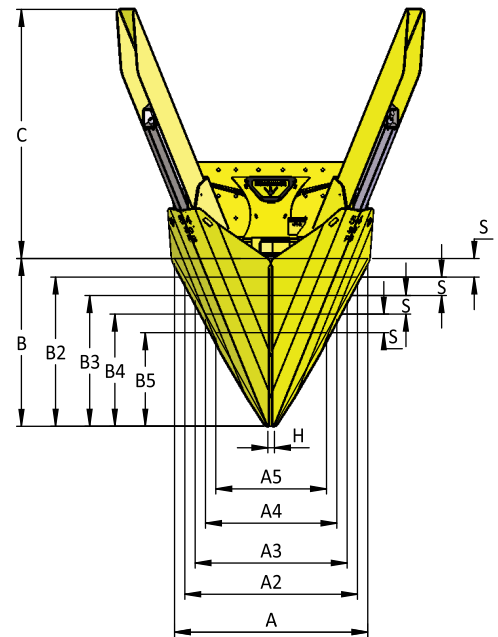
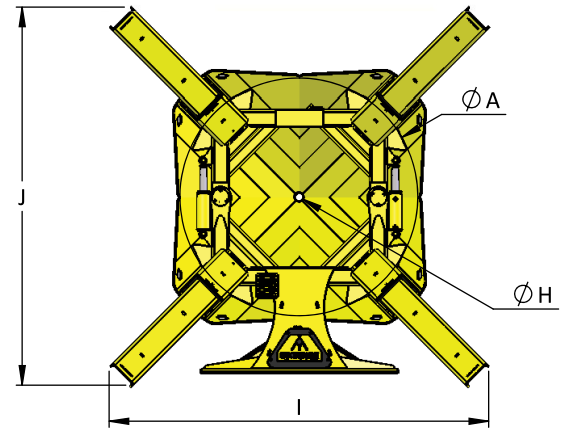
540i-C

4 BLADE 30 DEGREE INSIDE FRAME SUPER COMPACT

Basic Machine:

Maximum Rootball Diameter	A	55.6"	141 cm
Root Ball Depth	B	45.2"	115 cm
Working Height	C	67.1"	171 cm
Working Width (Closed)	D	98.1"	249 cm
Working Width (Open)	E	145.1"	369 cm
Open Gate Clearance	F	31.4"	80 cm
Inner Diameter (Max Trunk Size)	G	31.8"	81 cm
Lower Rootball Diameter	H	1.9"	5 cm
Closed Width	I	88.6"	225 cm
Overall Length	J	88.3"	224 cm
Machine Weight	M	3312 lbs	1502 kg
Rootball Volume	V	21.9 ft ³	0.6 m ³
Rootball Weight	W	2234 lbs	1013 kg
Rootball Diameter 2	A2	49.7"	126cm
Rootball Diameter 3	A3	43.8"	111 cm
Rootball Diameter 4	A4	37.9"	96 cm
Rootball Diameter 5	A5	32"	81 cm
Rootball Depth 2	B2	40.2"	102 cm
Rootball Depth 3	B3	35.2"	89 cm
Rootball Depth 4	B4	30.2"	77 cm
Rootball Depth 5	B5	25.2"	64 cm
Rootball Height Spacing	S	5"	13 cm

All specifications are approximate.



Dutchman
INDUSTRIES INC.
www.dutchmantreespade.com

Contact:
905-683-8233
800-293-0070
info@dutchmantreespade.com