

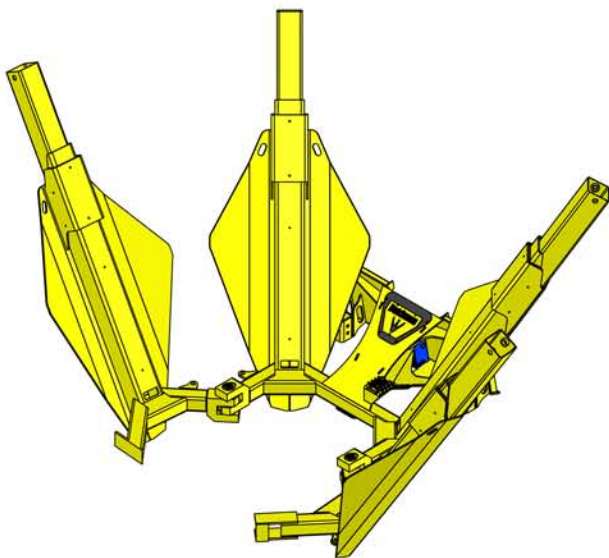
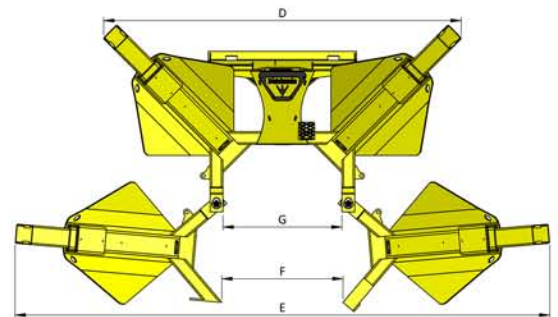
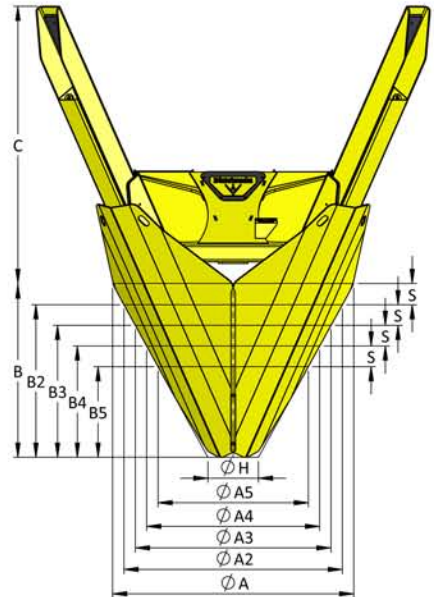
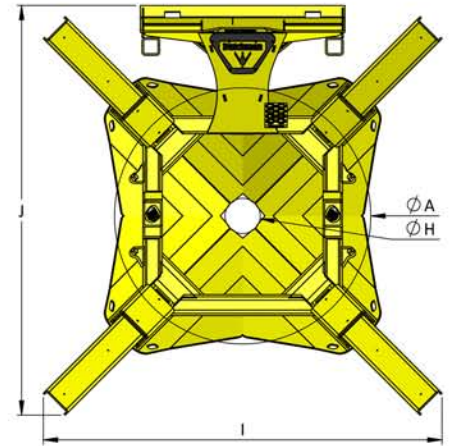


# 420i - 4 BLADE 30 DEGREE INSIDE FRAME

## Basic Machine:

Maximum Rootball Diameter	A	45.4"	(115 cm)
Root Ball Depth	B	29.4"	(75 cm)
Working Height	C	54.4"	(138 cm)
Working Width (Closed)	D	84.9"	(216 cm)
Working Width (Open)	E	123.8"	(315 cm)
Open Gate Clearance	F	23"	(58 cm)
Inner Diameter (Max Trunk Size)	G	28.8	(73 cm)
Lower Rootball Diameter	H	8.1"	(21 cm)
Closed Width	I	74.4"	(189 cm)
Overall Length	J	77.5"	(197 cm)
Machine Weight	M	2100 lbs	(953 kg)
Rootball Weight	W	1300 lbs	(590 kg)
Rootball Volume	V	11.1 ft <sup>3</sup>	(0.31 m <sup>3</sup> )
Rootball Diameter 2	A2	40.4"	(103 cm)
Rootball Diameter 3	A3	35.4"	(90 cm)
Rootball Diameter 4	A4	30.4"	(77 cm)
Rootball Diameter 5	A5	25.4"	(65 cm)
Rootball Depth 2	B2	25.5"	(65 cm)
Rootball Depth 3	B3	21.5"	(55 cm)
Rootball Depth 4	B4	17.6"	(45 cm)
Rootball Depth 5	B5	13.7"	(35 cm)
Rootball Height Spacing	S	3.9"	(10 cm)

*All specifications are approximate.*



**Dutchman**  
INDUSTRIES INC.  
www.dutchmantreespade.com

Contact:  
905-683-8233  
800-293-0070  
info@dutchmantreespade.com