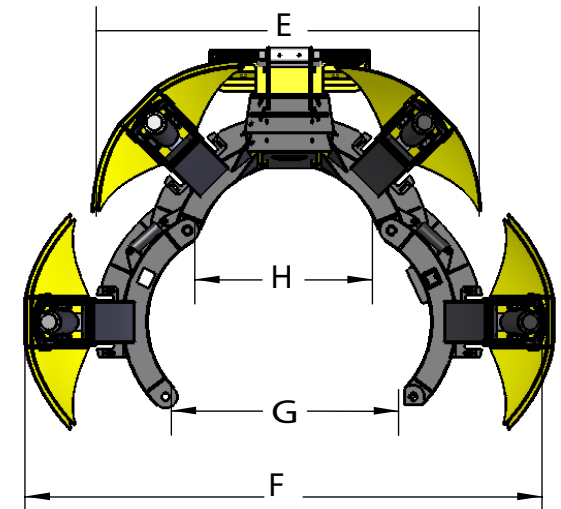
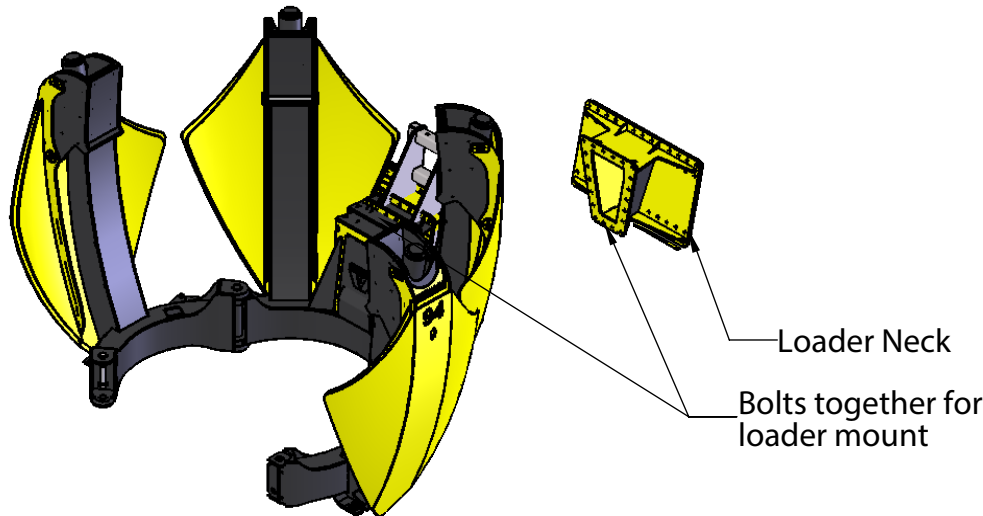
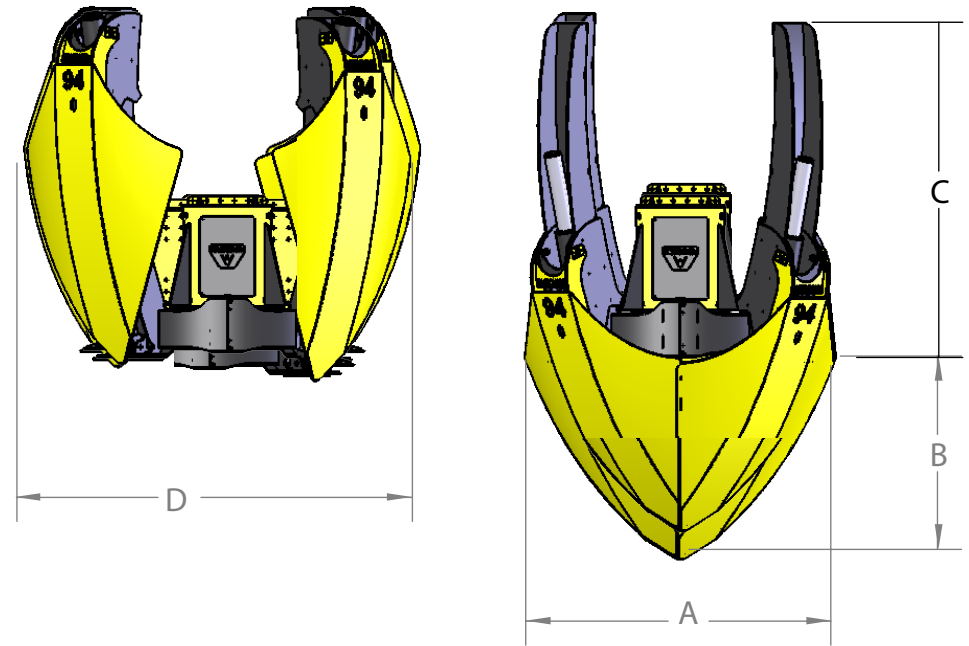


## Dutchman 94" Curved Blade Spade

|   |                            |             |          |
|---|----------------------------|-------------|----------|
| A | Rootball Diameter          | 2420        | 95.31"   |
| B | Root Ball Depth            | 1535        | 60.44"   |
| C | Working Height             | 2668        | 105.25"  |
| D | Machine Width blades up    | 3140        | 123.63"  |
| E | Width Gates Closed         | 3140        | 123.63"  |
| F | Width Gates Open           | 4229        | 166.5"   |
| G | Gate Clearance             | 1800        | 70.8"    |
| H | Frame Id                   | 1410        | 55.5"    |
| I | Approx. Spade Weight       | 3182kg      | 7000"    |
| J | Approx. Loader Neck Weight | 545kg       | 1200"    |
| K | Approx. Rootball Weight    | 3909        | 8600lbs  |
| L | Total Weight               | 7636kg      | 16800bs  |
| M | Operating Pressure         | 220bar      | 3200 PSI |
| N | Operating Flow             | 90-120l/min | 24-32PSI |



|     |             |                                      |  |   |
|-----|-------------|--------------------------------------|--|---|
|     |             | TOLERANCES                           | ASSY / PART:   | [Main] DMI-SPA-09014-R190-A6                |
|     |             | xx.xxx ±0.005                        | DRAWING:   | [Specifications] DMI-SPA-09014-R190-A6-SPEC |
|     |             | xx.xx ±0.010                         | MATERIAL:  | N/A   |
|     |             | xx.x ±0.015                          | THICKNESS:   | N/A   |
|     |             | xx <sup>x</sup> / <sub>xx</sub> ±.32 | WEIGHT:  | N/A   |
|     |             | ANGLES ±1°                           | QTY PER ORDER:   | N/A   |
|     |             |                                      | ALL DIMENSIONS ARE IN CENTIMETERS UNLESS NOTED OTHERWISE.  |   |
|     |             |                                      | DRAWING IS NOT TO SCALE UNLESS NOTED OTHERWISE.  |   |
| REV | DESCRIPTION |                                      | PROPRIETARY AND CONFIDENTIAL. DO NOT DISTRIBUTE THE INFORMATION CONTAINED IN THIS DRAWING WITHOUT WRITTEN PERMISSION FROM DUTCHMAN INDUSTRIES INC. |   |

**Dutchman**  
INDUSTRIES INC.

3735 Sideline 16 N. Brougham, Ontario, Canada, L0H 1A0  
1.800.293.0070 www.dutchmantreespade.com

DRAWN BY: PAG  
DATE (M/D/Y): 8/30/2017