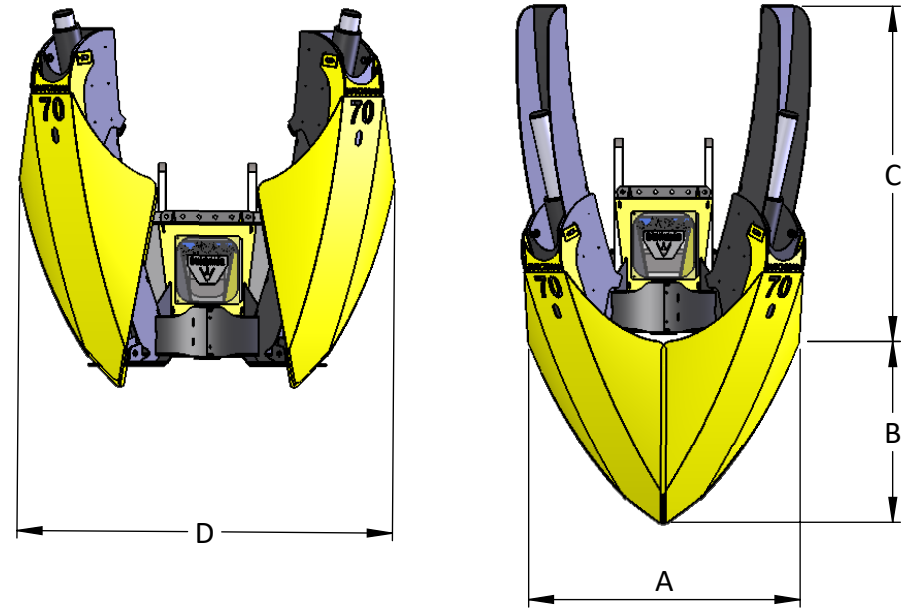


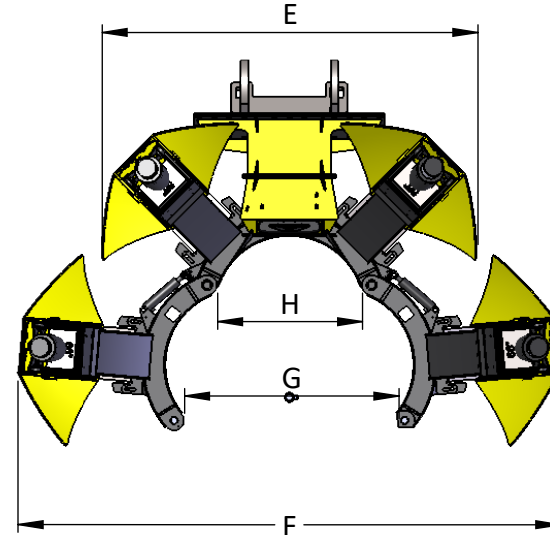
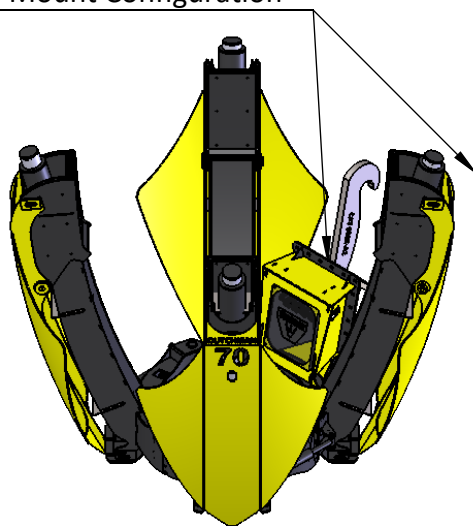
Dutchman 70" Curve Blade

Dimensions

A	Rootball Diameter:	1796.0	mm	70.7"	
B	Rootball Depth:	1196.3	mm	47.1"	
C	Working Height:	2217.4	mm	87.3"	
D	Machine width blades up	2485.4	mm	97.8"	
E	Width Gates Closed:	2485.4	mm	97.8"	
F	Width Gates Open:	3602.5	mm	141.8"	
G	Gate Clearance:	1424.0	mm	56"	
H	Frame ID:	959.0	mm	37.7"	
	Approx. Spade Weight:	2227	Kg	4900	lbs
	Approx. Loader Neck Weight:	568	Kg	1250	lbs
	Approx. Rootball weight:	1636	Kg	3600	lbs
	Total Weight	4431	Kg	9750	lbs
	Operating Pressure	240	bar	3500	psi
	Operating Flow	90	L/min	24	gpm



Loader Neck bolts to spade for Loader Mount Configuration



Tolerances	Assy/Part:	[Main] DMI-SPA-06614-R200-A6	Quantity:	
XX.XXX ±0.008	Drawing:	[Specifications] DMI-SPA-06614-R200-A6-70 SPEC	Revision:	
XX.XX ±0.030	Config:	Blade-70 Down	Scale:	1:50
XX.X ±0.062	Material:		Sheet:	1 of 1
XX ±0.125	Angles	±1°	Thickness:	
Third Angle	X/X" ±1/32"	Unless otherwise noted all units are in: in, lb. Drawing is not to scale unless noted otherwise.	Weight:	
	Proprietary and confidential. Do not distribute the information contained in this drawing without written permission from Dutchman Industries Inc.		Designer:	
			Date:	10/21/2021

