



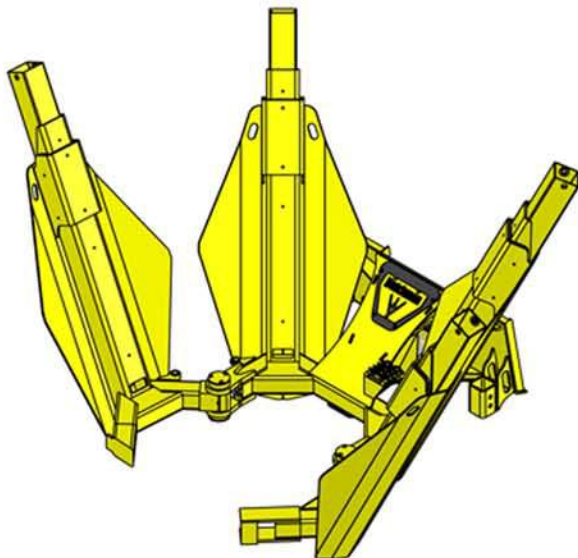
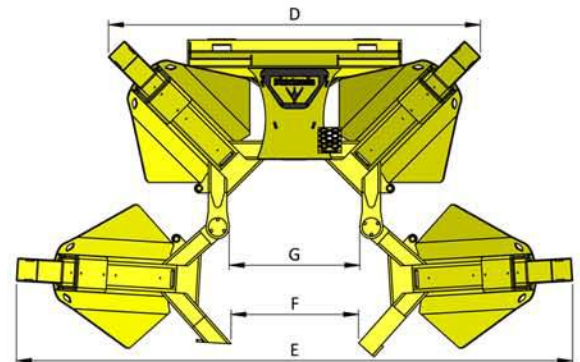
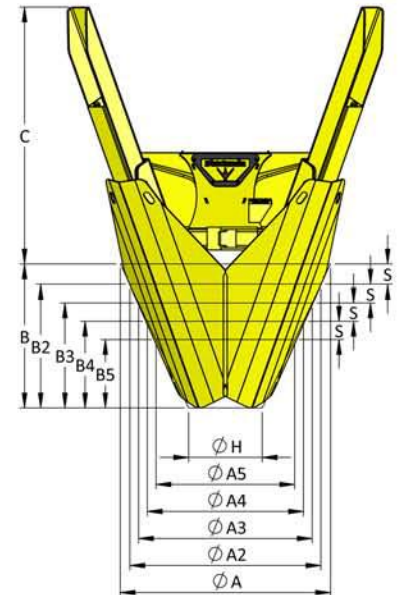
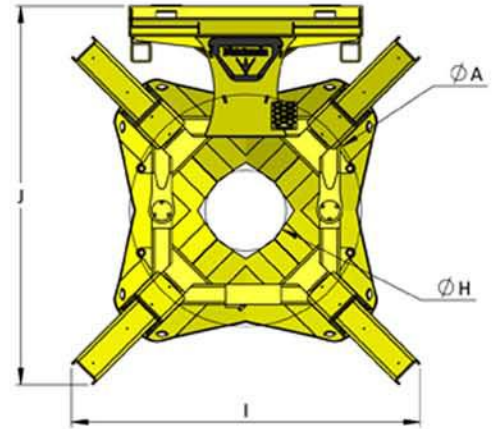
540i -

4 BLADE 25 DEGREE INSIDE FRAME

Basic Machine:

Maximum Rootball Diameter	A	55.9"	(142 cm)
Root Ball Depth	B	42.2"	(107 cm)
Working Height	C	65.5"	(166 cm)
Working Width (Closed)	D	101"	(257 cm)
Working Width (Open)	E	151"	(384 cm)
Open Gate Clearance	F	35.3"	(90 cm)
Inner Diameter (Max Trunk Size)	G	35.4"	(90 cm)
Lower Rootball Diameter	H	15.3"	(39 cm)
Closed Width	I	81.8"	(208 cm)
Overall Length	J	87.4"	(222 cm)
Machine Weight	M	2800 lbs	(1270 kg)
Rootball Weight	W	3300 lbs	(1497 kg)
Rootball Volume	V	26.9 ft ³	(0.76 m ³)
Rootball Diameter 2	A2	52.1"	(132 cm)
Rootball Diameter 3	A3	48.3"	(123 cm)
Rootball Diameter 4	A4	44.5"	(113 cm)
Rootball Diameter 5	A5	40.7"	(104 cm)
Rootball Depth 2	B2	38.3"	(97 cm)
Rootball Depth 3	B3	34.3"	(87 cm)
Rootball Depth 4	B4	30.4"	(77 cm)
Rootball Depth 5	B5	26.5"	(67 cm)
Rootball Height Spacing	S	3.9"	(10 cm)

All specifications are approximate.



Dutchman
INDUSTRIES INC.
www.dutchmantreespade.com

Contact:
905-683-8233
800-293-0070
info@dutchmantreespade.com