

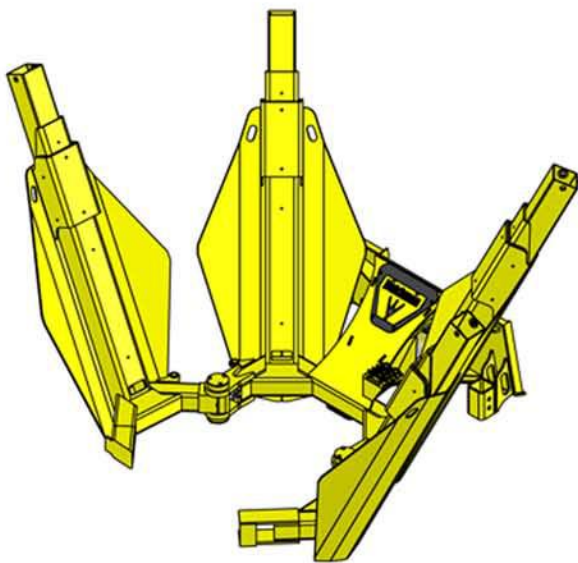
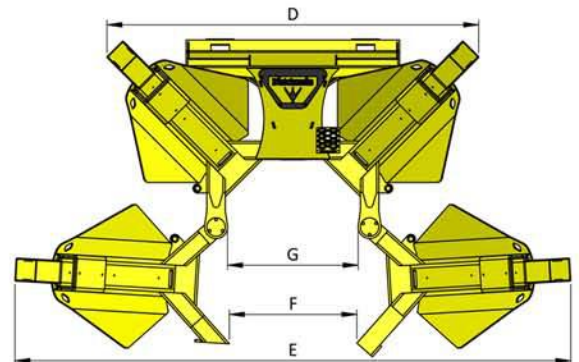
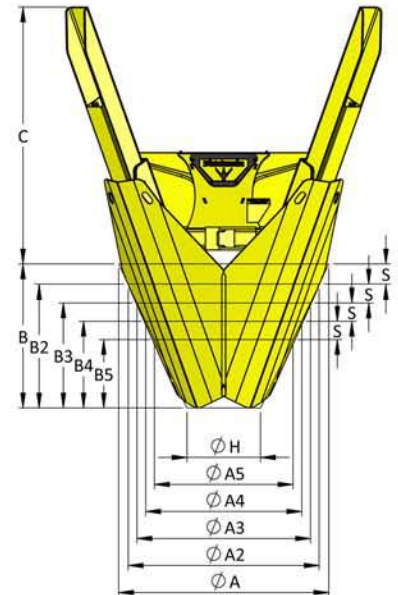
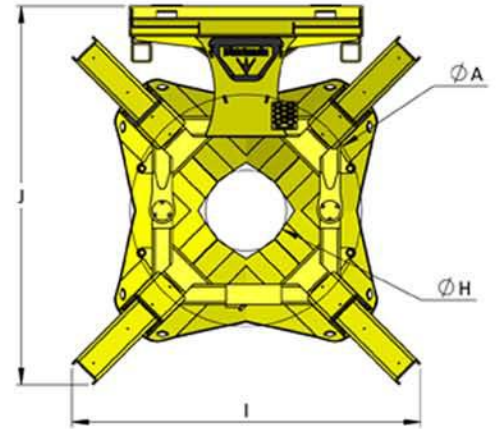


# 500i - 4 BLADE 25 DEGREE INSIDE FRAME

## Basic Machine:

Maximum Rootball Diameter	A	53.4"	(136 cm)
Root Ball Depth	B	33.6"	(85 cm)
Working Height	C	59.2"	(150 cm)
Working Width (Closed)	D	88.4"	(225 cm)
Working Width (Open)	E	133.9"	(340 cm)
Open Gate Clearance	F	34.9"	(89 cm)
Inner Diameter (Max Tree Size)	G	34"	(86 cm)
Lower Rootball Diameter	H	19.2"	(49 cm)
Closed Width	I	75"	(191 cm)
Overall Length	J	82.9"	(211 cm)
Machine Weight	M	2450 lbs	(1111 kg)
Rootball Weight	W	2900 lbs	(1315 kg)
Rootball Volume	V	21.6 ft <sup>3</sup>	(0.61 m <sup>3</sup> )
Rootball Diameter 2	A2	49.4"	(125 cm)
Rootball Diameter 3	A3	45.4"	(115 cm)
Rootball Diameter 4	A4	41.4"	(105 cm)
Rootball Diameter 5	A5	37.4"	(95 cm)
Rootball Depth 2	B2	29.7"	(75 cm)
Rootball Depth 3	B3	25.7"	(65 cm)
Rootball Depth 4	B4	21.8"	(55 cm)
Rootball Depth 5	B5	17.9"	(45 cm)
Rootball Height Spacing	S	3.9"	(10 cm)

*All specifications are approximate.*



**Dutchman**  
INDUSTRIES INC.  
www.dutchmantreespade.com

Contact:  
905-683-8233  
800-293-0070  
info@dutchmantreespade.com