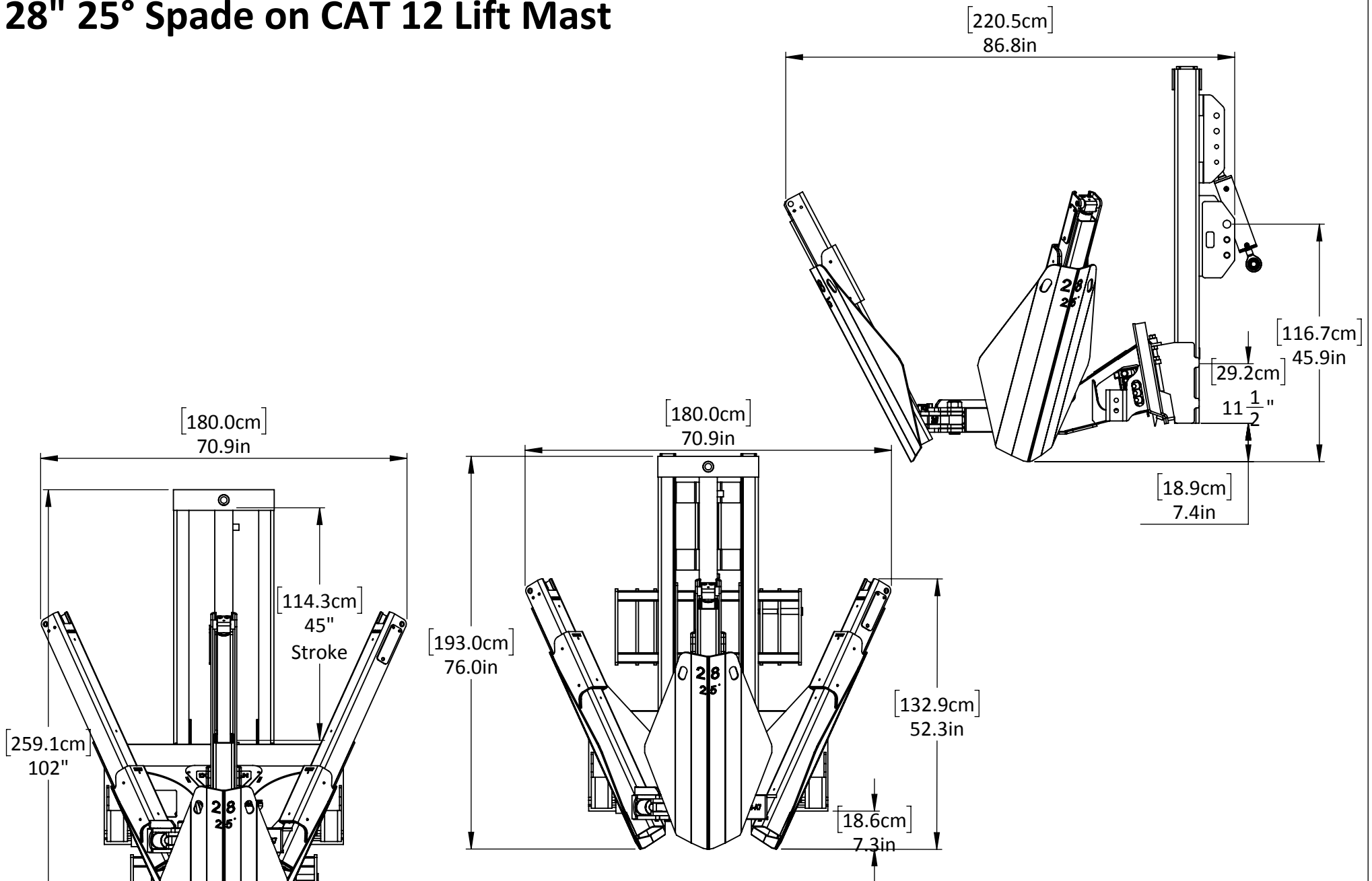
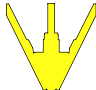



28" 25° Spade on CAT 12 Lift Mast



Tolerances	Assy/Part: Assembly	Quantity:	 Dutchman INDUSTRIES INC. 3735 Sideline 16 N. Brougham, Ontario, Canada, L0H 1A0 1.800.293.0070 www.dutchmantreespade.com
XX.XXX ±0.008	Drawing: [Specifications] Category 12 Lift Mast with 2813-25 Spade	Revision:	
XX.XX ±0.030	Config: 2813-25° Down	Scale: 1:25	
XX.X ±0.062	Material: Material <not specified>	Sheet: 1 of 1	
XX ±0.125		Thickness:	
Angles ±1°	Unless otherwise noted all units are in: in, lb.	Weight: 1719.1	Designer: Ghanshyam Patel
Third Angle	 Drawing is not to scale unless noted otherwise.	Date: Nov 11, 2015	
Proprietary and confidential. Do not distribute the information contained in this drawing without written permission from Dutchman Industries Inc.			