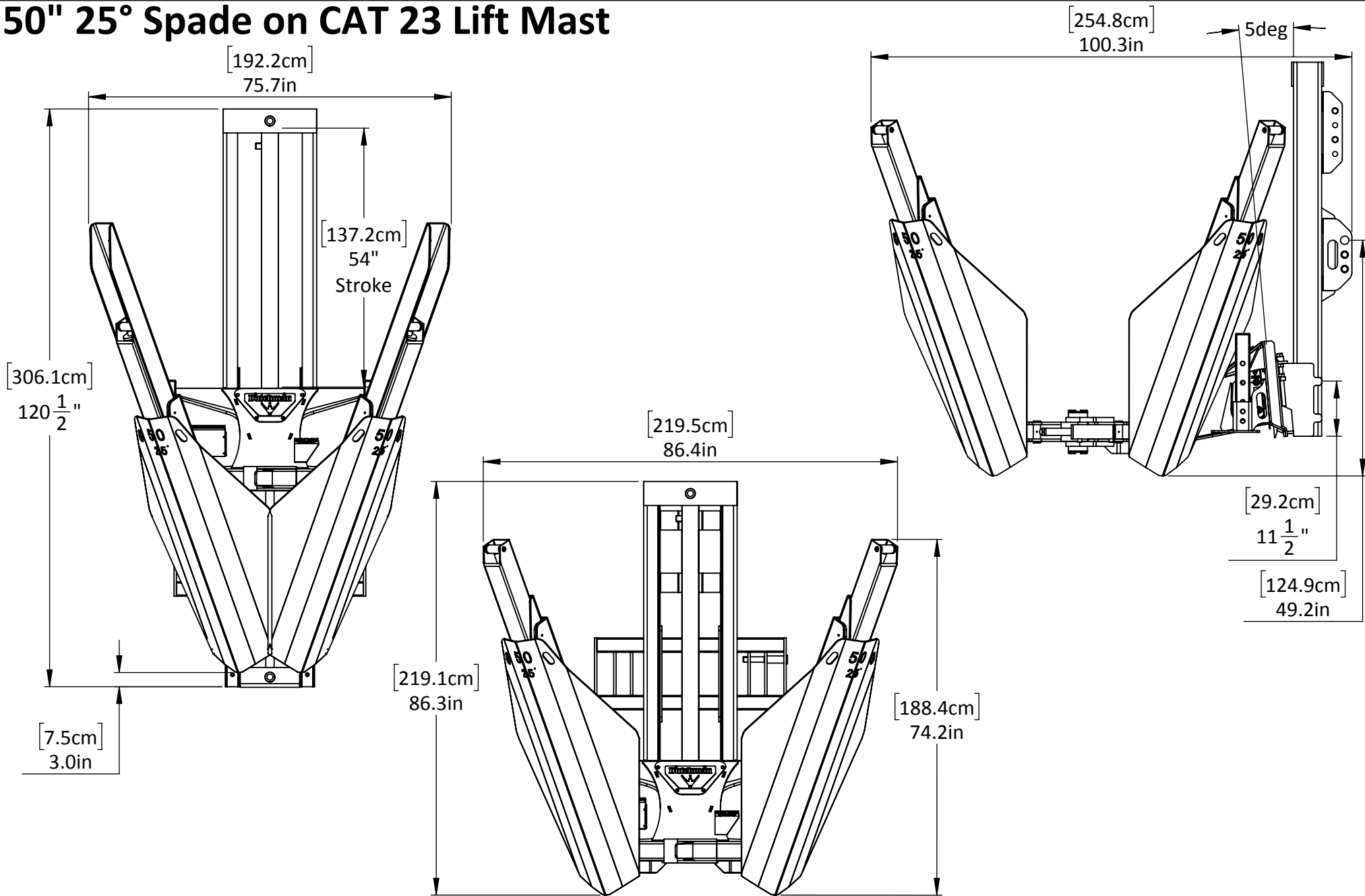
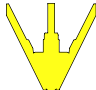



# 50" 25° Spade on CAT 23 Lift Mast



<b>Tolerances</b>	<b>Assy/Part:</b> Diagram v2	<b>Quantity:</b>	 <b>Dutchman</b> INDUSTRIES INC. 3735 Sideline 16 N. Brougham, Ontario, Canada, L0H 1A0 1.800.293.0070 www.dutchmantreespade.com
XX.XXX ±0.008	<b>Drawing:</b> [Specifications] Category 23 Lift Mast with 50/4-25 Spade	<b>Revision:</b>	
XX.XX ±0.030	<b>Config:</b> 50/4-25° Down	<b>Scale:</b> 1:27	
XX.X ±0.062	<b>Material:</b> Material <not specified>	<b>Sheet:</b> 1 of 1	
XX ±0.125		<b>Thickness:</b>	
<b>Angles</b> ±1°	Unless otherwise noted all units are in: in, lb.	<b>Weight:</b> 3026.4	<b>Designer:</b> Ghanshyam Patel
<b>Third Angle</b>	 Drawing is not to scale unless noted otherwise.	<b>Date:</b> Nov 17, 2015	
Proprietary and confidential. Do not distribute the information contained in this drawing without written permission from Dutchman Industries Inc.			