



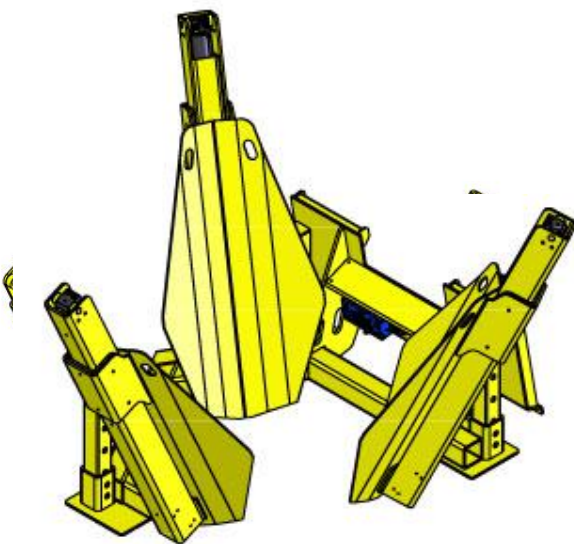
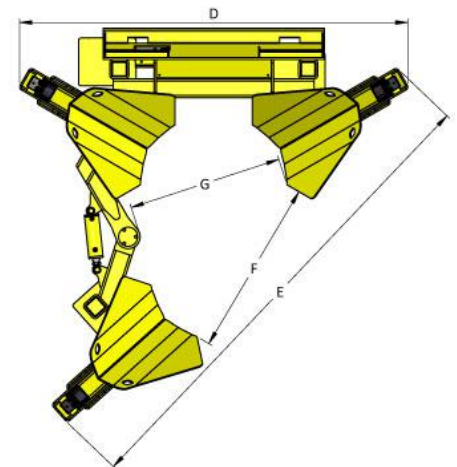
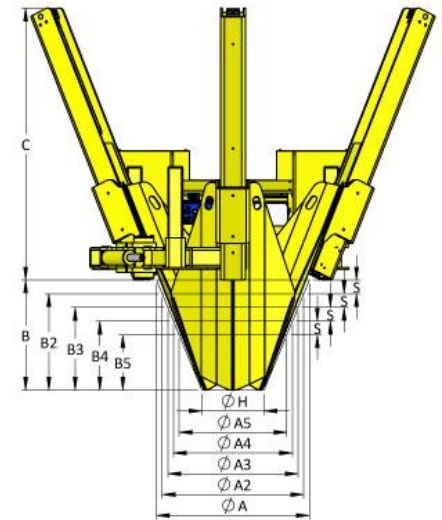
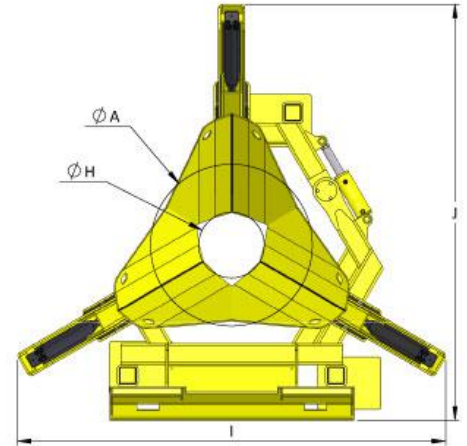
2800 -

3 BLADE 22 DEGREE INSIDE FRAME

Basic Machine:

Maximum Rootball Diameter	A	30.7"	78 cm
Root Ball Depth	B	22.1"	56 cm
Working Height	C	54.6"	139 cm
Working Width (Closed)	D	81.2"	206 cm
Working Width (Open)	E	101.2"	257 cm
Open Gate Clearance	F	36.9"	94 cm
Inner Diameter (Max Trunk Size)	G	32.5"	82 cm
Lower Rootball Diameter	H	12.5"	32 cm
Closed Width	I	81.2"	206 cm
Overall Length	J	78.9"	200 cm
Machine Weight	M	1300 lbs	590 kg
Rootball Volume	V	5 ft ³	0.14 m ³
Rootball Weight	W	400 lbs	181 kg
Rootball Diameter 2	A2	28.1"	71 cm
Rootball Diameter 3	A3	25.5"	65 cm
Rootball Diameter 4	A4	22.9"	58 cm
Rootball Diameter 5	A5	20.3"	52 cm
Rootball Depth 2	B2	19"	48 cm
Rootball Depth 3	B3	15.8"	40 cm
Rootball Depth 4	B4	12.7"	32 cm
Rootball Depth 5	B5	9.5"	24 cm
Rootball Height Spacing	S	3.1"	8 cm

All specifications are approximate.



Dutchman
INDUSTRIES INC.
www.dutchmantreespade.com

Contact:
905-683-8233
800-293-0070
info@dutchmantreespade.com