

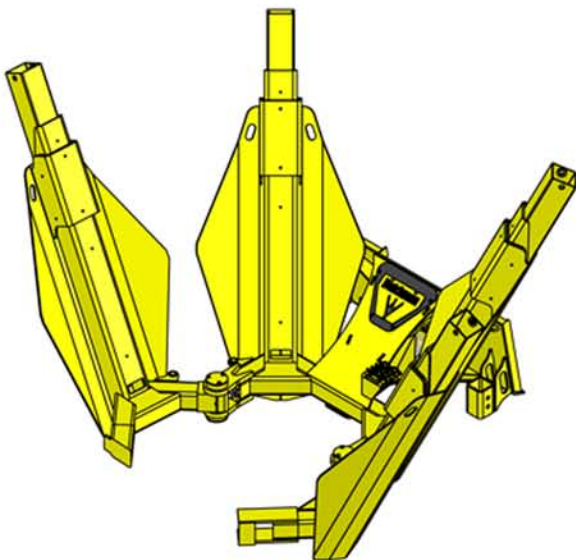
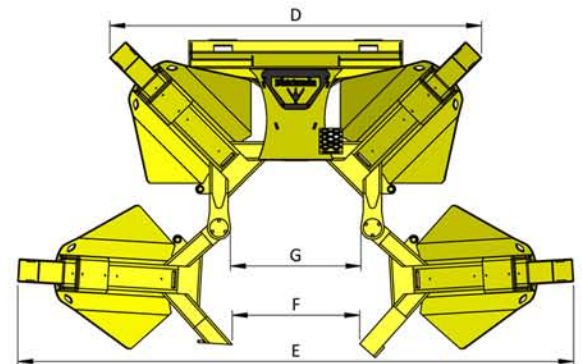
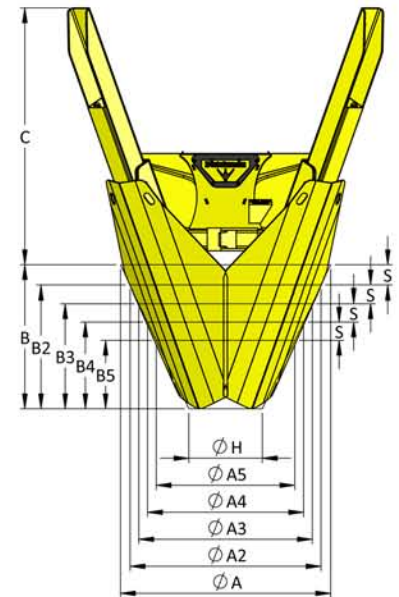
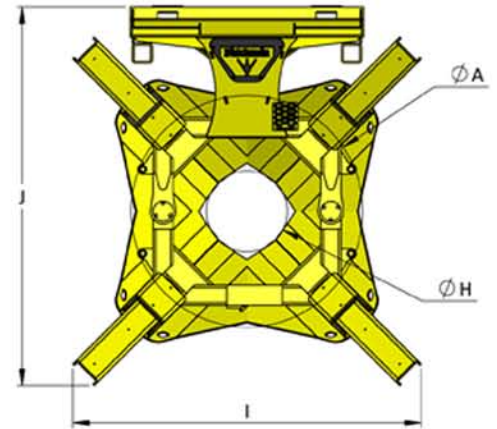


450i - 4 BLADE 25 DEGREE INSIDE FRAME

Basic Machine:

Maximum Rootball Diameter	A	45.9"	(117 cm)
Root Ball Depth	B	31.3"	(80 cm)
Working Height	C	56.1"	(142 cm)
Working Width (Closed)	D	69.1"	(176 cm)
Working Width (Open)	E	120.4"	(306 cm)
Open Gate Clearance	F	27.6"	(70 cm)
Inner Diameter (Max Trunk Size)	G	28.3"	(72 cm)
Lower Rootball Diameter	H	16.1"	(41 cm)
Closed Width	I	69.1"	(176 cm)
Overall Length	J	75.1"	(191 cm)
Machine Weight	M	2200 lbs	(998 kg)
Rootball Weight	W	1700 lbs	(771 kg)
Rootball Volume	V	14.7 ft ³	(0.42 m ³)
Rootball Diameter 2	A2	42.2"	(107 cm)
Rootball Diameter 3	A3	38.4"	(98 cm)
Rootball Diameter 4	A4	34.7"	(88 cm)
Rootball Diameter 5	A5	30.9"	(79 cm)
Rootball Depth 2	B2	27.4"	(70 cm)
Rootball Depth 3	B3	23.4"	(60 cm)
Rootball Depth 4	B4	19.5"	(50 cm)
Rootball Depth 5	B5	15.6"	(40 cm)
Rootball Height Spacing	S	3.9"	(10 cm)

All specifications are approximate.



Dutchman
INDUSTRIES INC.
www.dutchmantreespade.com

Contact:
905-683-8233
800-293-0070
info@dutchmantreespade.com