



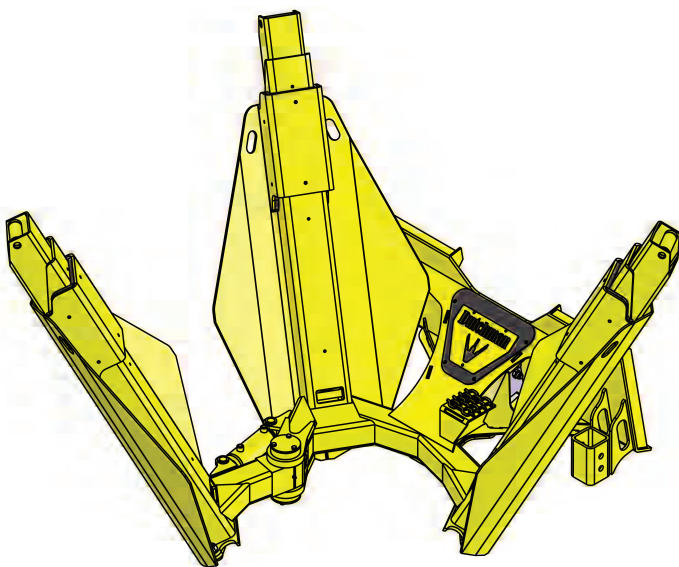
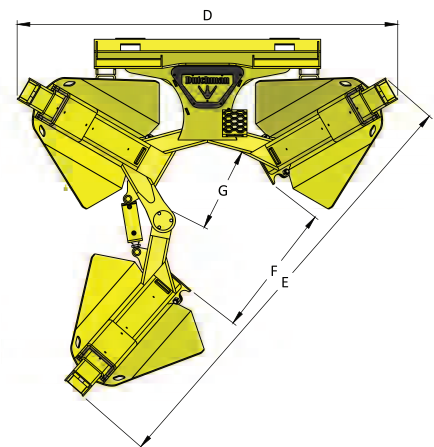
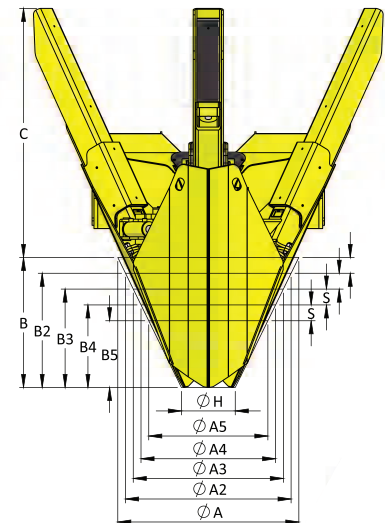
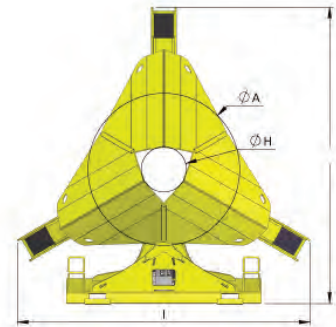
300i

3 BLADE 25 DEGREE INSIDE FRAME

Basic Machine

Maximum Rootball Diameter	A	33.8"	(86 cm)
Root Ball Depth	B	23"	(58 cm)
Working Height	C	46.2"	(117 cm)
Working Width (Closed)	D	72.7"	(185 cm)
Working Width (Open)	E	84.1"	(214 cm)
Open Gate Clearance	F	21.2"	(54 cm)
Inner Diameter (Max Trunk Size)	G	19.5"	(50 cm)
Lower Rootball Diameter	H	11.3"	(29 cm)
Closed Width	I	64.5"	(164 cm)
Overall Length	J	67"	(170 cm)
Machine Weight	M	1300 lbs	(590 kg)
Rootball Weight	W	5.8 ft ³	(0.16 m ³)
Rootball Volume	V	700 lbs	(318 kg)
Rootball Diameter 2	A2	30.7"	(78 cm)
Rootball Diameter 3	A3	27.6"	(70 cm)
Rootball Diameter 4	A4	24.6"	(62 cm)
Rootball Diameter 5	A5	21.5"	(55 cm)
Rootball Depth 2	B2	19.9"	(50 cm)
Rootball Depth 3	B3	16.7"	(42 cm)
Rootball Depth 4	B4	13.6"	(34 cm)
Rootball Depth 5	B5	10.4"	(26 cm)
Rootball Height Spacing	S	3.1"	(8 cm)

All specifications are approximate



Dutchman

INDUSTRIES INC.

www.dutchmantreespade.com

Contact:

905-683-8233

800-293-0070

info@dutchmantreespade.com