

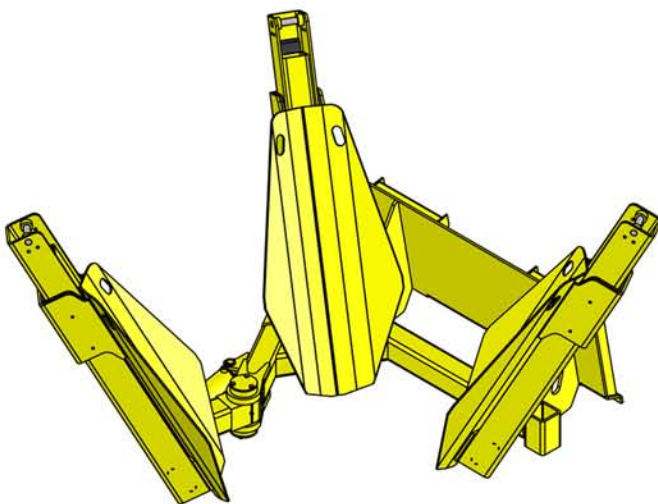
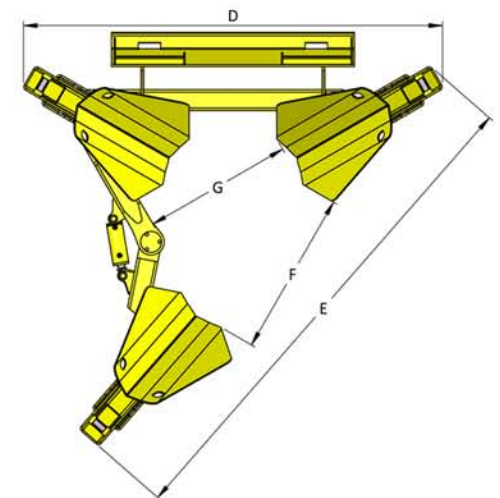
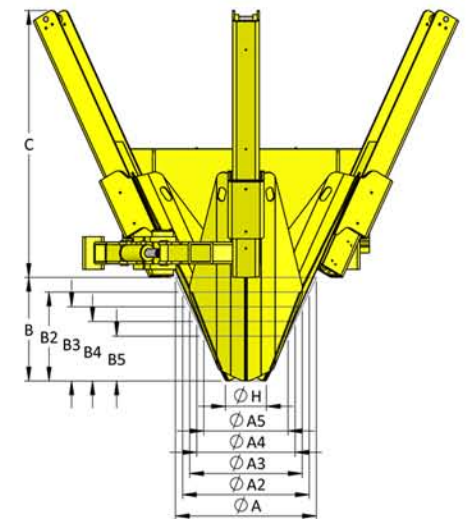
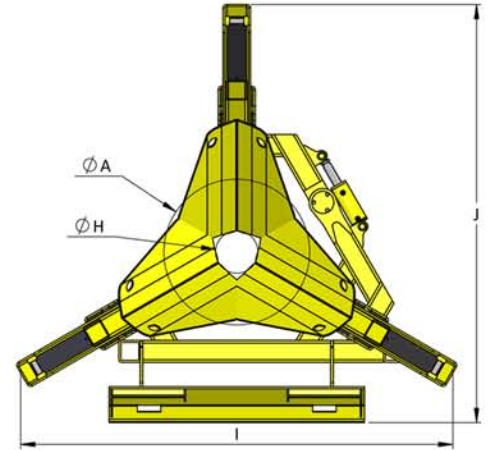


# 280i - 3 BLADE 25 DEGREE OUTSIDE FRAME

## Basic Machine:

Maximum Rootball Diameter	A	30"	(76 cm)
Root Ball Depth	B	21.4"	(54 cm)
Working Height	C	53.3"	(135 cm)
Working Width (Closed)	D	86.6"	(220 cm)
Working Width (Open)	E	104"	(264 cm)
Open Gate Clearance	F	37"	(94 cm)
Inner Diameter (Max Trunk Size)	G	25.1"	(64 cm)
Lower Rootball Diameter	H	10.1"	(26 cm)
Closed Width	I	86.6"	(220 cm)
Overall Length	J	81.7"	(208 cm)
Machine Weight	M	1100 lbs	(499 kg)
Rootball Weight	W	355 lbs	(161 kg)
Rootball Volume	V	4.2 ft <sup>3</sup>	(0.12 m <sup>3</sup> )
Rootball Diameter 2	A2	27.1"	(69 cm)
Rootball Diameter 3	A3	24.1"	(61 cm)
Rootball Diameter 4	A4	21.2"	(54 cm)
Rootball Diameter 5	A5	18.3"	(46 cm)
Rootball Depth 2	B2	18.3"	(46 cm)
Rootball Depth 3	B3	15.1"	(38 cm)
Rootball Depth 4	B4	12"	(30 cm)
Rootball Depth 5	B5	8.8"	(22 cm)
Rootball Height Spacing	S	3.1"	(8 cm)

*All specifications are approximate.*



**Dutchman**  
INDUSTRIES INC.  
www.dutchmantreespade.com

Contact:  
905-683-8233  
800-293-0070  
info@dutchmantreespade.com