

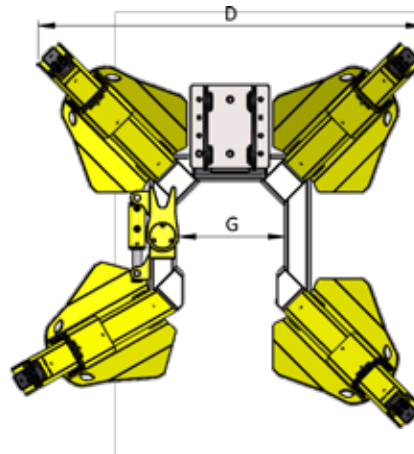
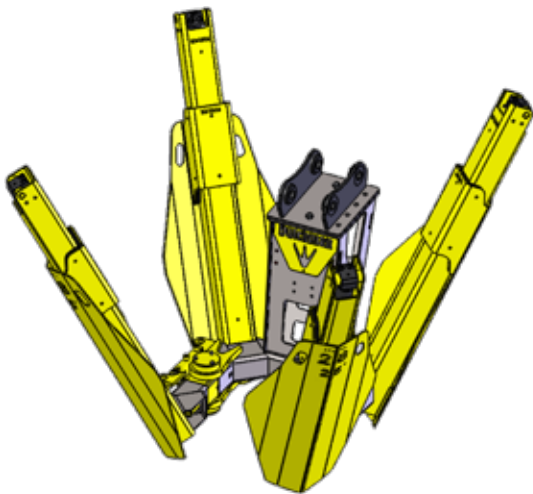
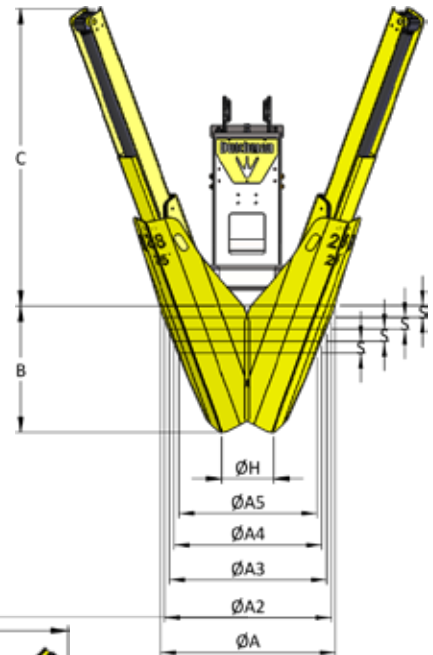
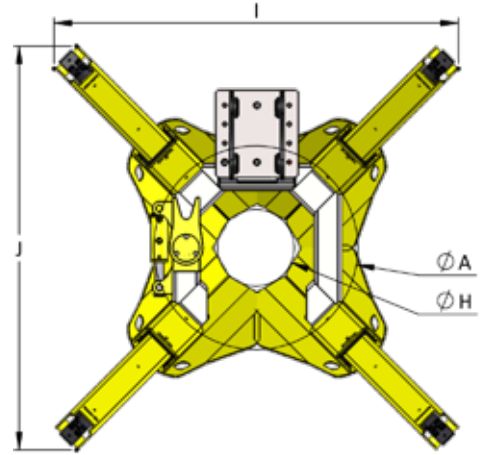


280i - 4 BLADE 25 DEGREE INSIDE FRAME

Basic Machine:

Maximum Rootball Diameter	A	31.4"	(80 cm)
Root Ball Depth	B	18.9"	(48 cm)
Working Height	C	50.5"	(152 cm)
Working Width (Closed)	D	60"	(131 cm)
Working Width (Open)	E	68.5"	(174 cm)
Open Gate Clearance	F	22.1"	(56 cm)
Inner Diameter (Max Trunk Size)	G	16.5"	(42 cm)
Lower Rootball Diameter	H	13.5"	(35 cm)
Closed Width	I	60"	(152 cm)
Overall Length	J	60"	(152 cm)
Machine Weight	M	970.9 lbs	(440 kg)
Rootball Weight	W	566.2 lbs	(257 kg)
Rootball Volume	V	4.76 ft ³	(0.13 m ³)
Rootball Diameter 2	A2	29.5"	(75 cm)
Rootball Diameter 3	A3	27.7"	(70 cm)
Rootball Diameter 4	A4	25.8"	(66 cm)
Rootball Diameter 5	A5	23.9"	(61 cm)
Rootball Depth 2	B2	16.9"	(43 cm)
Rootball Depth 3	B3	14.9"	(38 cm)
Rootball Depth 4	B4	12.9"	(33 cm)
Rootball Depth 5	B5	10.9"	(28 cm)
Rootball Height Spacing	S	2"	(5 cm)

All specifications are approximate.



Dutchman
INDUSTRIES INC.
www.dutchmantreespade.com

Contact:
905-683-8233
1-800-293-0070
info@dutchmantreespade.com