

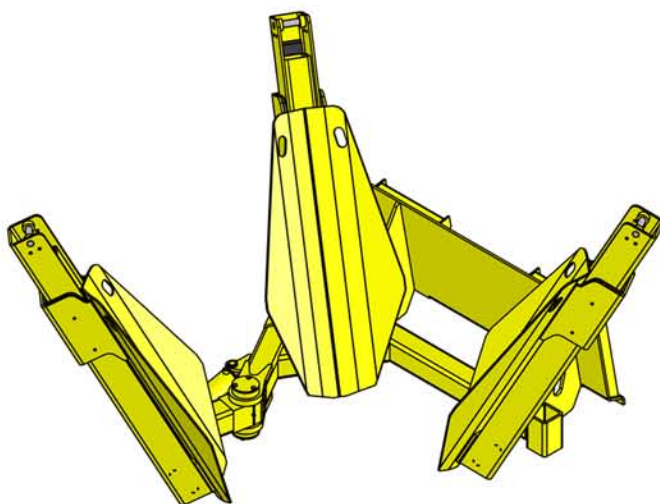
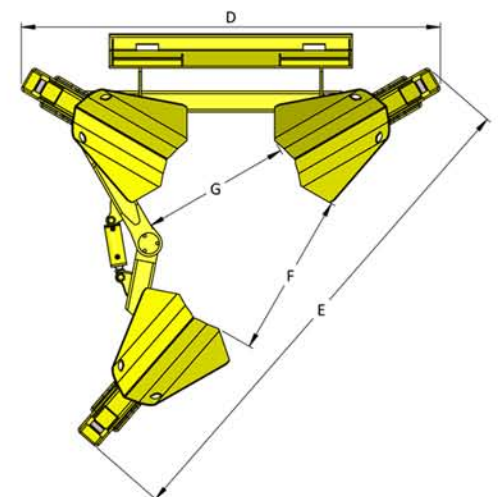
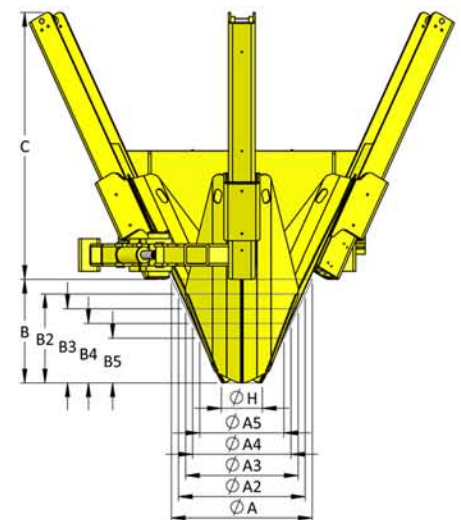
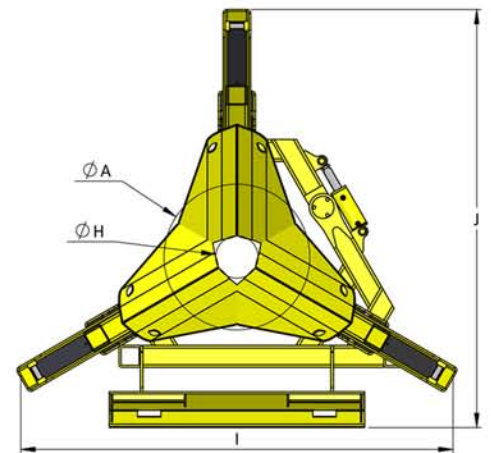


240i - 3 BLADE 25 DEGREE OUTSIDE FRAME

Basic Machine:

Maximum Rootball Diameter	A	26.4"	(67 cm)
Root Ball Depth	B	19.6"	(50 cm)
Working Height	C	49.9"	(127 cm)
Working Width (Closed)	D	79.8"	(203 cm)
Working Width (Open)	E	96"	(244 cm)
Open Gate Clearance	F	31.4"	(80 cm)
Inner Diameter (Max Trunk Size)	G	28.5"	(72 cm)
Lower Rootball Diameter	H	7.7"	(20 cm)
Closed Width	I	78.3"	(199 cm)
Overall Length	J	75.8"	(192 cm)
Machine Weight	M	1100 lbs	(499 kg)
Rootball Weight	W	250 lbs	(113 kg)
Rootball Volume	V	2.8 ft ³	(0.08 m ³)
Rootball Diameter 2	A2	23.8"	(60 cm)
Rootball Diameter 3	A3	21.1"	(54 cm)
Rootball Diameter 4	A4	18.5"	(47 cm)
Rootball Diameter 5	A5	15.9"	(40 cm)
Rootball Depth 2	B2	16.8"	(43 cm)
Rootball Depth 3	B3	14.1"	(36 cm)
Rootball Depth 4	B4	11.3"	(29 cm)
Rootball Depth 5	B5	8.6"	(22 cm)
Rootball Height Spacing	S	2.8"	(7 cm)

All specifications are approximate.



Dutchman
INDUSTRIES INC.
www.dutchmantreespade.com

Contact:
905-683-8233
800-293-0070
info@dutchmantreespade.com