

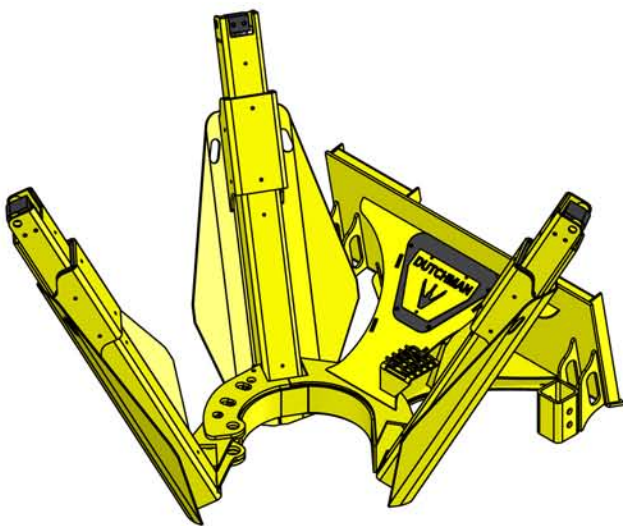
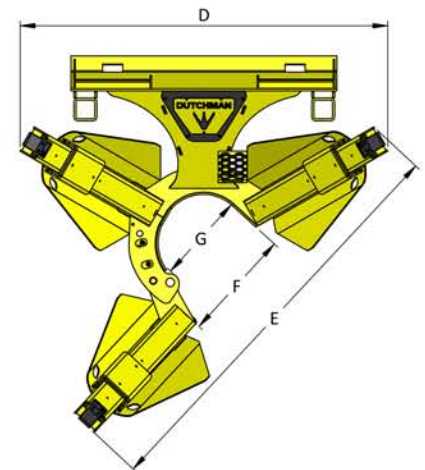
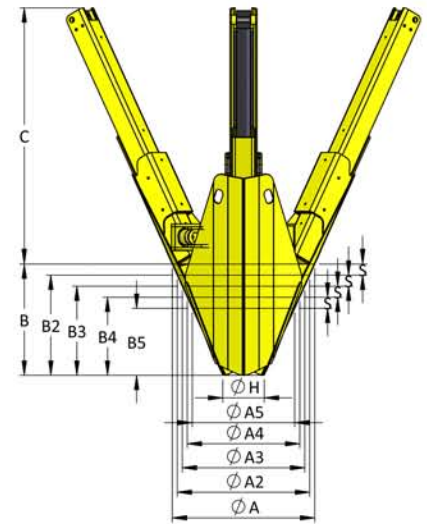
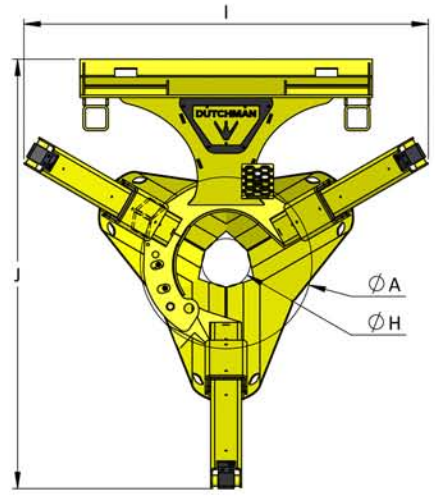


240i - 3 BLADE 25 DEGREE INSIDE FRAME

Basic Machine:

Maximum Rootball Diameter	A	27.2"	(69 cm)
Root Ball Depth	B	20.1"	(51 cm)
Working Height	C	46.3"	(118 cm)
Working Width (Closed)	D	64"	(163 cm)
Working Width (Open)	E	72.1"	(183 cm)
Open Gate Clearance	F	19.4"	(49 cm)
Inner Diameter (Max Trunk Size)	G	15.7"	(40 cm)
Lower Rootball Diameter	H	7.7"	(20 cm)
Closed Width	I	64"	(163 cm)
Overall Length	J	67.9"	(172 cm)
Machine Weight	M	1000 lbs	(454 kg)
Rootball Weight	W	250 lbs	(113 kg)
Rootball Volume	V	3.1 ft ³	(0.09 m ³)
Rootball Diameter 2	A2	24.1"	(61 cm)
Rootball Diameter 3	A3	21.1"	(54 cm)
Rootball Diameter 4	A4	18"	(46 cm)
Rootball Diameter 5	A5	15"	(38 cm)
Rootball Depth 2	B2	17"	(43 cm)
Rootball Depth 3	B3	13.8"	(35 cm)
Rootball Depth 4	B4	10.7"	(27 cm)
Rootball Depth 5	B5	7.5"	(19 cm)
Rootball Height Spacing	S	3.1"	(8 cm)

All specifications are approximate.



Dutchman
INDUSTRIES INC.
www.dutchmantreespade.com

Contact:
905-683-8233
800-293-0070
info@dutchmantreespade.com