



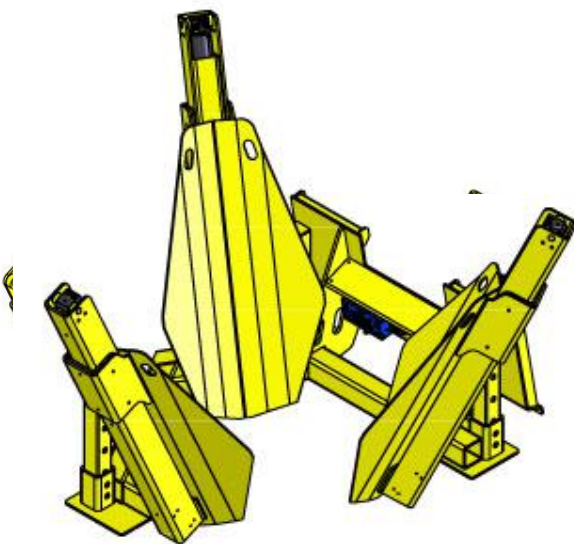
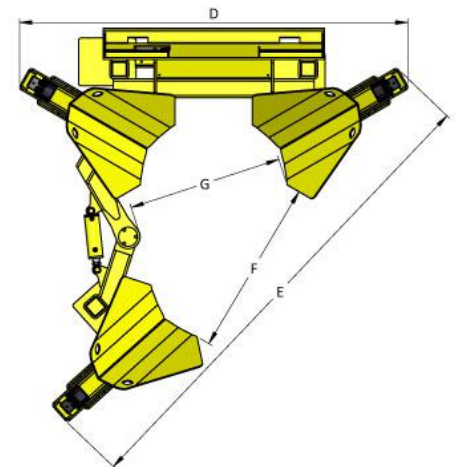
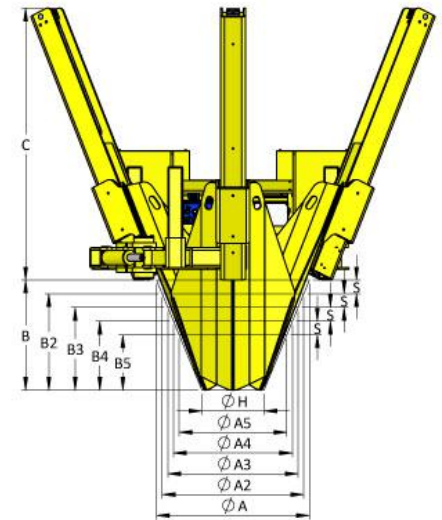
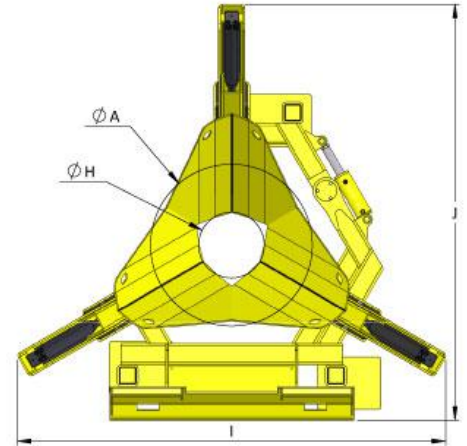
2400 -

3 BLADE 22 DEGREE OUTSIDE FRAME

Basic Machine:

Maximum Rootball Diameter	A	26.5"	68 cm
Root Ball Depth	B	20.3"	52 cm
Working Height	C	51"	130 cm
Working Width (Closed)	D	74.6"	189 cm
Working Width (Open)	E	93.2"	237 cm
Open Gate Clearance	F	32.3"	82 cm
Inner Diameter (Max Trunk Size)	G	29.9"	76 cm
Lower Rootball Diameter	H	9.8"	25 cm
Closed Width	I	74.6"	189 cm
Overall Length	J	74.1"	188 cm
Machine Weight	M	1100 lbs	499 kg
Rootball Volume	V	3.3 ft ³	0.09 m ³
Rootball Weight	W	270 lbs	122 kg
Rootball Diameter 2	A2	24.3"	62 cm
Rootball Diameter 3	A3	22"	56 cm
Rootball Diameter 4	A4	19.8"	50 cm
Rootball Diameter 5	A5	17.5"	44 cm
Rootball Depth 2	B2	17.5"	45 cm
Rootball Depth 3	B3	14.8"	38 cm
Rootball Depth 4	B4	12"	31 cm
Rootball Depth 5	B5	9.3"	24 cm
Rootball Height Spacing	S	2.8"	7 cm

All specifications are approximate.



Dutchman
INDUSTRIES INC.
www.dutchmantreespade.com

Contact:
905-683-8233
800-293-0070
info@dutchmantreespade.com