



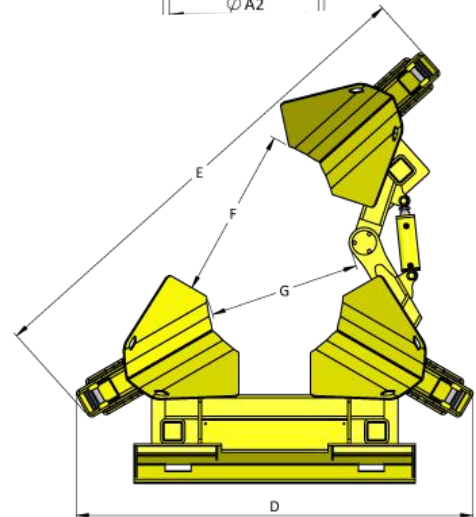
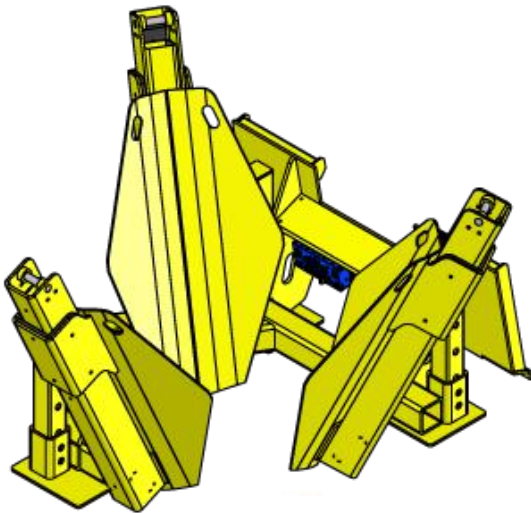
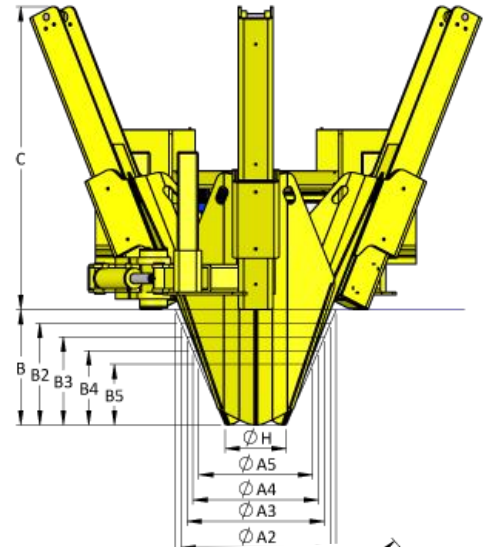
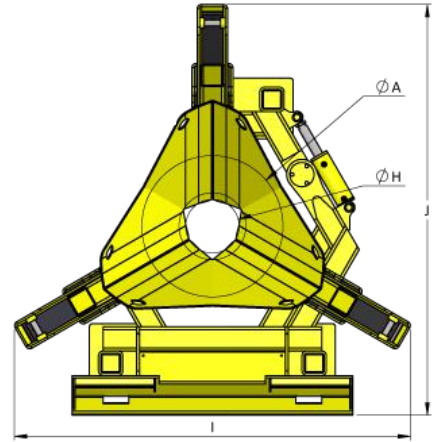
2000 -

3 BLADE 22 DEGREE OUTSIDE FRAME

Basic Machine:

Maximum Rootball Diameter	A	23.2"	59 cm
Root Ball Depth	B	16.7"	42 cm
Working Height	C	46.7"	119 cm
Working Width (Closed)	D	65.2"	166 cm
Working Width (Open)	E	80.8"	205 cm
Open Gate Clearance	F	28.2"	72 cm
Inner Diameter (Max Trunk Size)	G	24.9"	63 cm
Lower Rootball Diameter	H	8.8"	22 cm
Closed Width	I	65.2"	166 cm
Overall Length	J	67.6"	172 cm
Machine Weight	M	1100 lbs	499 kg
Rootball Volume	V	2.1 ft ³	0.06 m ³
Rootball Weight	W	190 lbs	86 kg
Rootball Diameter 2	A2	21.5"	55 cm
Rootball Diameter 3	A3	19.8"	50 cm
Rootball Diameter 4	A4	18.1"	46 cm
Rootball Diameter 5	A5	16.4"	42 cm
Rootball Depth 2	B2	14.7"	37 cm
Rootball Depth 3	B3	12.7"	32 cm
Rootball Depth 4	B4	10.8"	27 cm
Rootball Depth 5	B5	8.8"	22 cm
Rootball Height Spacing	S	2"	5 cm

All specifications are approximate.



Dutchman
INDUSTRIES INC.
www.dutchmantreespade.com

Contact:
905-683-8233
800-293-0070
info@dutchmantreespade.com