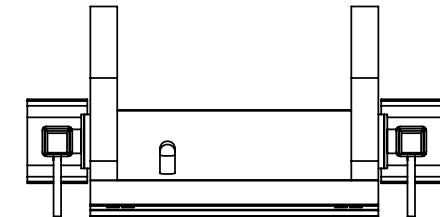
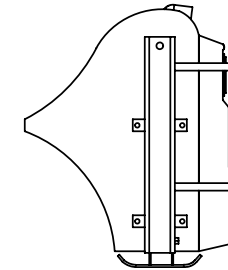
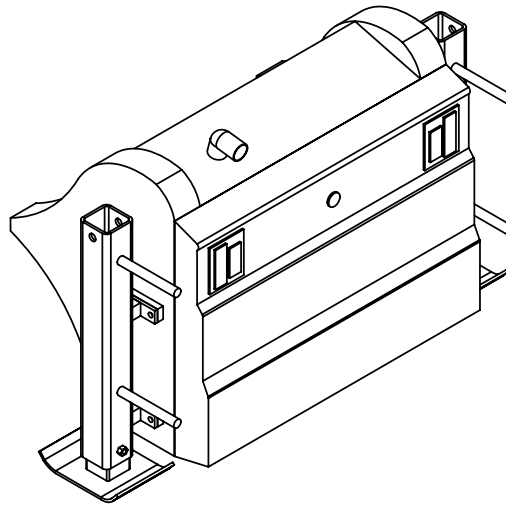
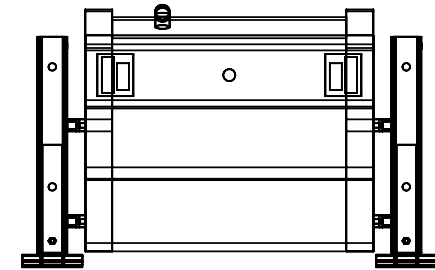
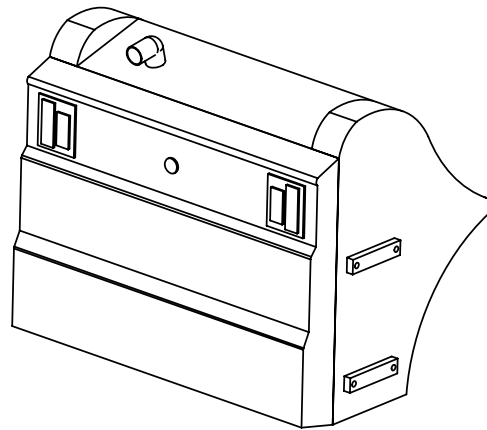


STEP
2. BOLT STABILIZERS TO WELDED
ATTACHMENT BARS



STEP
1. WELD ATTACHMENT BARS
TO SKID STEER



STANDARD TOLERANCES
UNLESS OTHERWISE SPECIFIED:
FRACTIONS ± 1/16
.X ± .030
.XX ± .010
.XXX ± .005
ALL ANGLES ± 2

	NAME	DATE
DRAWN	A.F.	29/01/07
CHECKED		
ENG APPR.		
MFG APPR.		
Q.A.		

TITLE:
**BOBCAT UNIVERSAL
STABILIZER HOOK UP
INSTRUCTIONS**

MATERIAL	
DO NOT SCALE DRAWING	

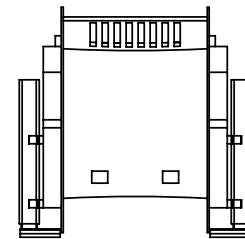
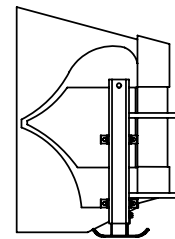
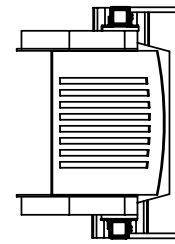
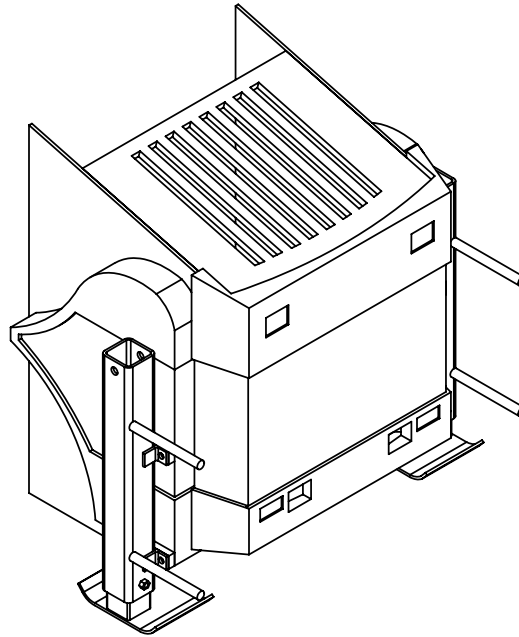
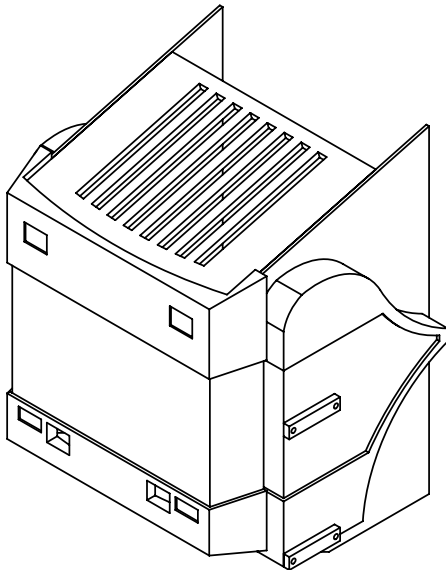
SIZE	DWG. NO.	REV
A		
SCALE:		SHEET 1 OF 1

PROPRIETARY AND CONFIDENTIAL
THE INFORMATION CONTAINED IN THIS
DRAWING IS THE SOLE PROPERTY OF
DUTCHMAN INDUSTRIES INC. ANY
REPRODUCTION IN PART OR AS A WHOLE
WITHOUT THE WRITTEN PERMISSION OF
DUTCHMAN INDUSTRIES INC. IS
PROHIBITED.

ALL DIMENSIONS ARE IN INCHES

STEP
2. BOLT STABILIZERS TO WELDED
ATTACHMENT BARS

STEP
1. WELD ATTACHMENT BARS
TO SKID STEER



PROPRIETARY AND CONFIDENTIAL
THE INFORMATION CONTAINED IN THIS DRAWING IS THE SOLE PROPERTY OF DUTCHMAN INDUSTRIES INC. ANY REPRODUCTION IN PART OR AS A WHOLE WITHOUT THE WRITTEN PERMISSION OF DUTCHMAN INDUSTRIES INC. IS PROHIBITED.

ALL DIMENSIONS ARE IN INCHES

STANDARD TOLERANCES
UNLESS OTHERWISE SPECIFIED:
FRACTIONS ± 1/16
.X ± .030
.XX ± .010
.XXX ± .005
ALL ANGLES ± 2

MATERIAL

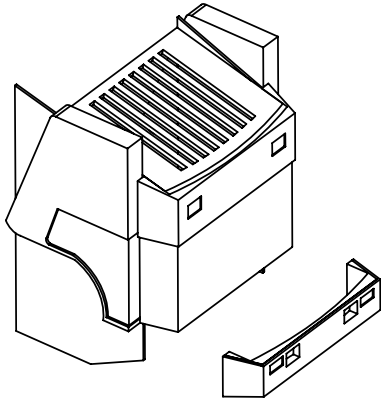
DO NOT SCALE DRAWING

	NAME	DATE
DRAWN	A.F.	06/11/06
CHECKED		
ENG APPR.		
MFG APPR.		
Q.A.		

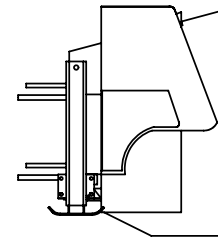
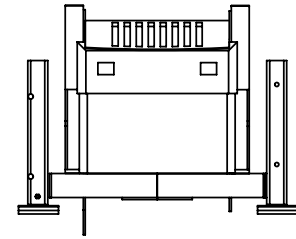
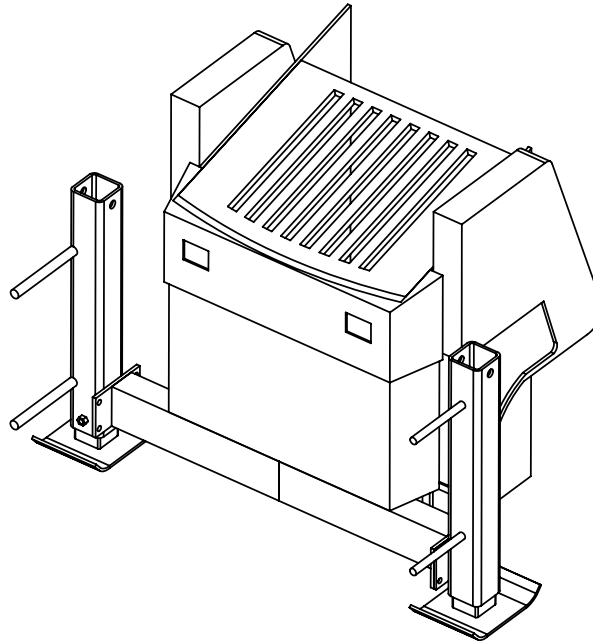
COMMENTS:

TITLE: CAT/CASE/GEHL STABILIZER HOOK UP INSTRUCTIONS		
SIZE A	DWG. NO.	REV
SCALE:		SHEET 1 OF 1

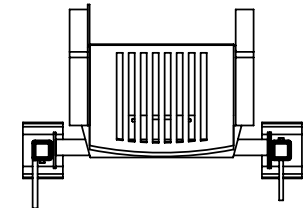
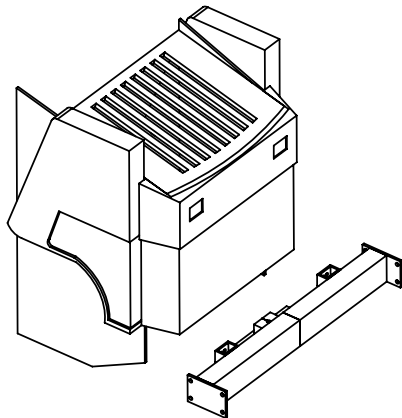
STEP
1. REMOVE SKID STEER BUMPER



STEP
3. BOLT STABILIZERS TO HOOK UP BAR



STEP
2. BOLT STABILIZER HOOK UP BAR
TO SKID STEER



PROPRIETARY AND CONFIDENTIAL
THE INFORMATION CONTAINED IN THIS DRAWING IS THE SOLE PROPERTY OF DUTCHMAN INDUSTRIES INC. ANY REPRODUCTION IN PART OR AS A WHOLE WITHOUT THE WRITTEN PERMISSION OF DUTCHMAN INDUSTRIES INC. IS PROHIBITED.

ALL DIMENSIONS ARE IN INCHES

DO NOT SCALE DRAWING

STANDARD TOLERANCES
UNLESS OTHERWISE SPECIFIED:
FRACTIONS ± 1/16
.X ± .030
.XX ± .010
.XXX ± .005
ALL ANGLES ± 2

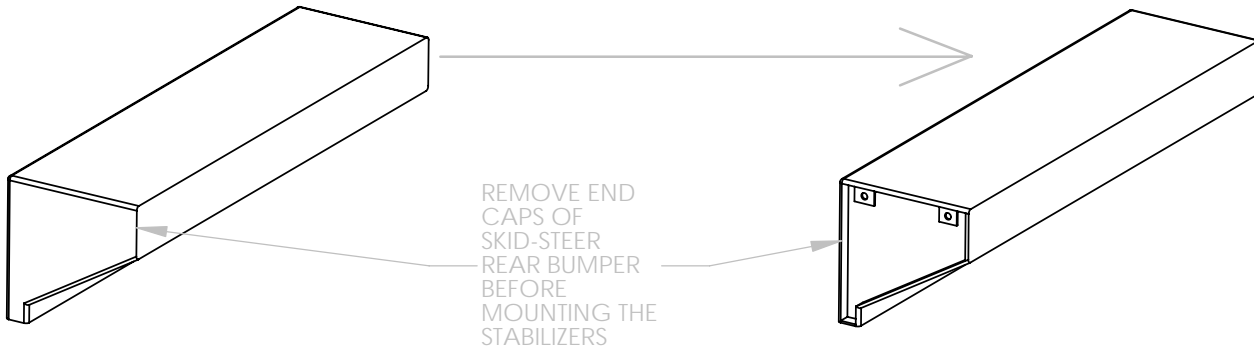
MATERIAL

	NAME	DATE
DRAWN	A.F.	03/11/06
CHECKED		
ENG APPR.		
MFG APPR.		
Q.A.		

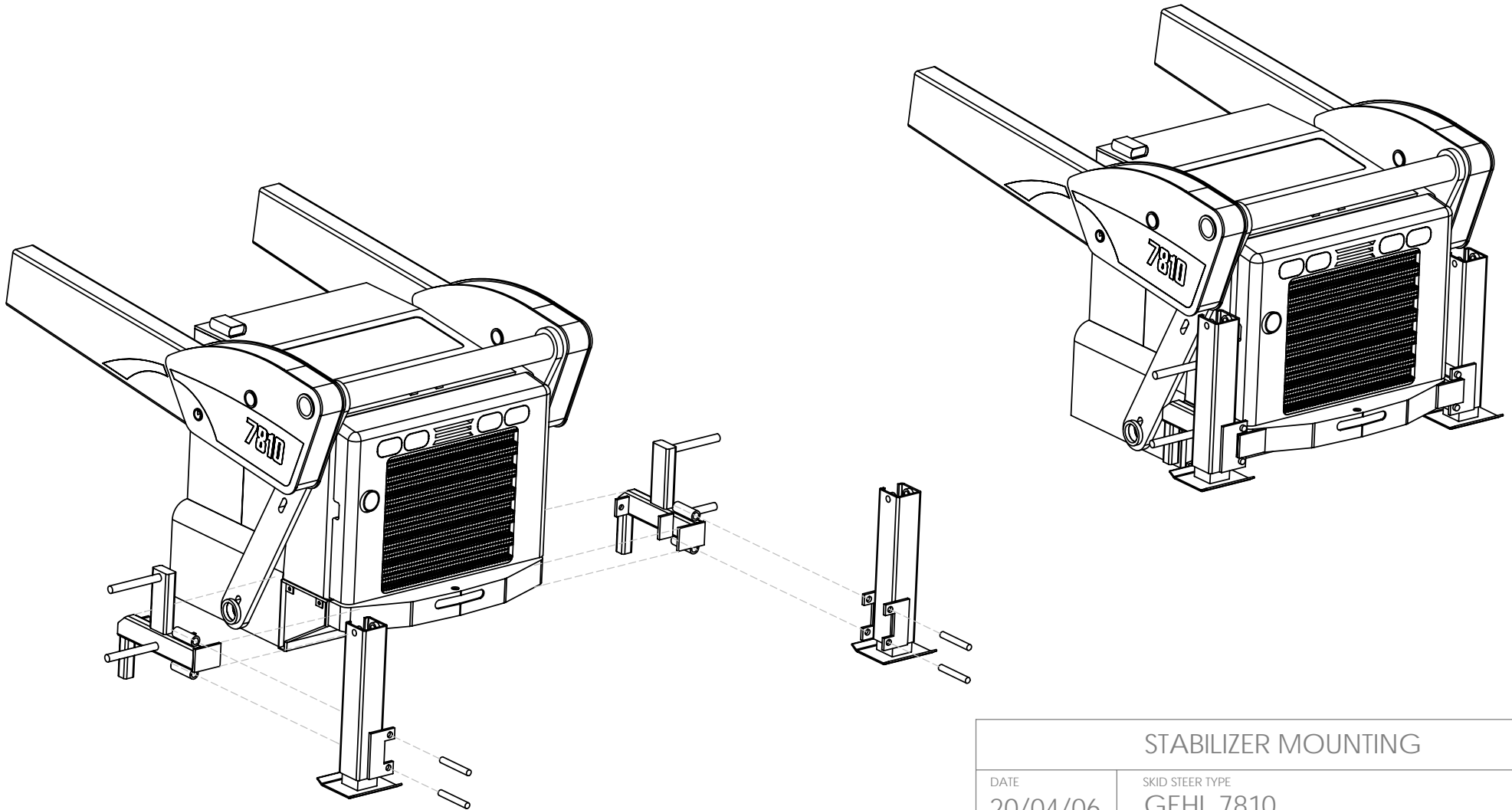
COMMENTS:

TITLE: **CAT 277/287
STABILIZER HOOK UP
INSTRUCTIONS**

SIZE	DWG. NO.	REV
A		
SCALE:		SHEET 1 OF 1



REMOVE END
CAPS OF
SKID-STEER
REAR BUMPER
BEFORE
MOUNTING THE
STABILIZERS



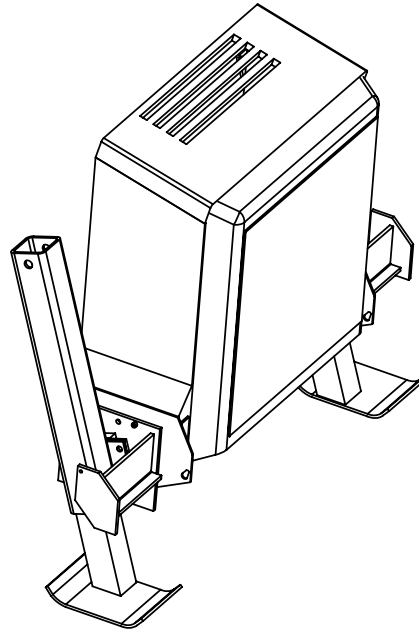
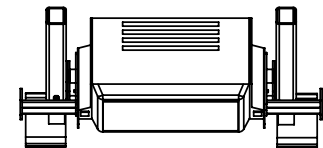
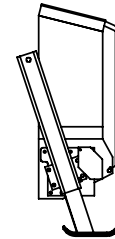
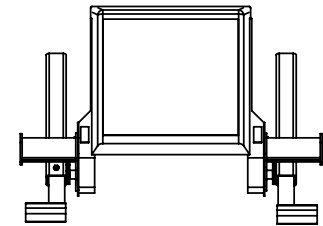
STABILIZER MOUNTING

DATE
20/04/06

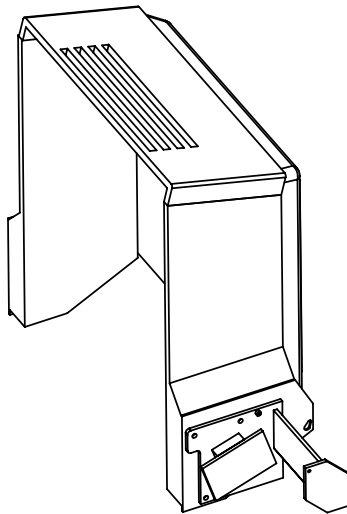
SKID STEER TYPE
GEHL 7810

COMPANY
DUTCHMAN INDUSTRIES

STEP 2
2. BOLT STABILIZERS TO HOOK UP PLATE



STEP 1
1. BOLT STABILIZER HOOK UP PLATE TO SKID STEER



STANDARD TOLERANCES
UNLESS OTHERWISE SPECIFIED:
FRACTIONS ± 1/16
.X ± .030
.XX ± .010
.XXX ± .005
ALL ANGLES ± 2

	NAME	DATE
DRAWN	A.F.	3/11/06
CHECKED		
ENG APPR.		
MFG APPR.		
Q.A.		

TITLE:
**JOHN DEERE 325
STABILIZER HOOK UP
INSTRUCTIONS**

MATERIAL

DO NOT SCALE DRAWING

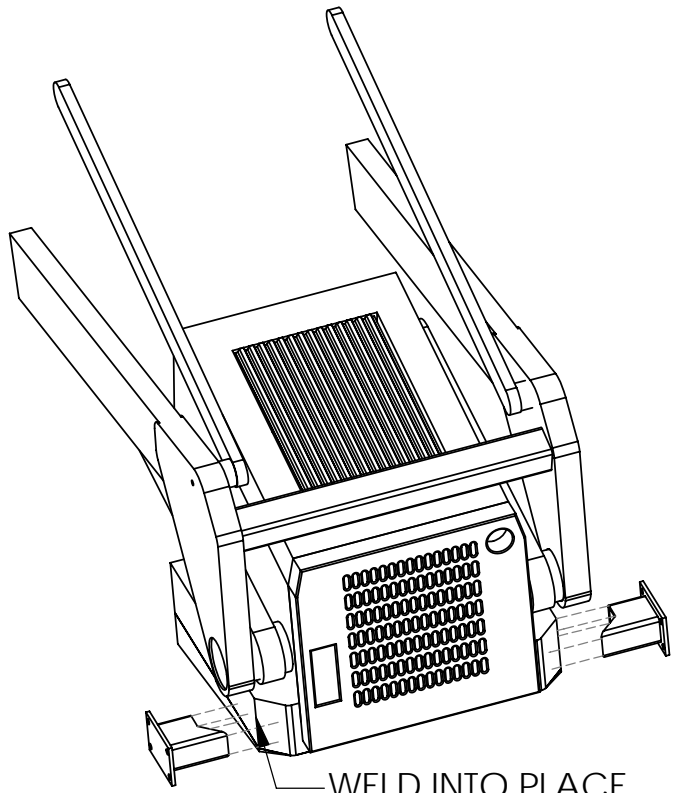
SIZE DWG. NO. REV

A

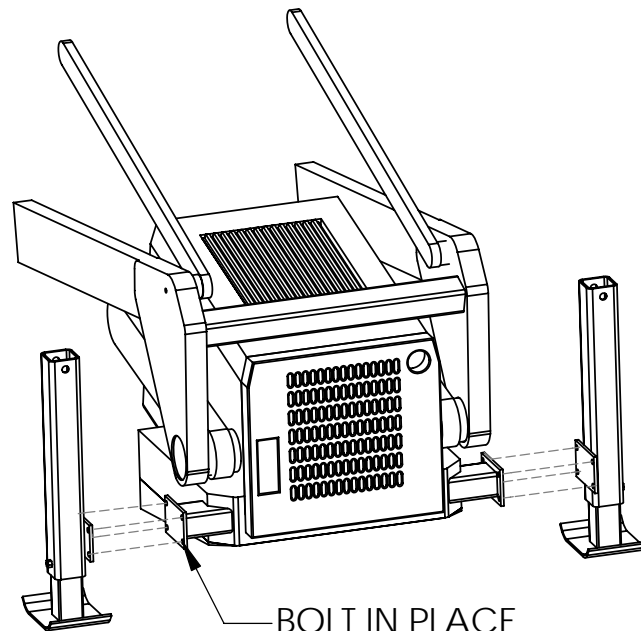
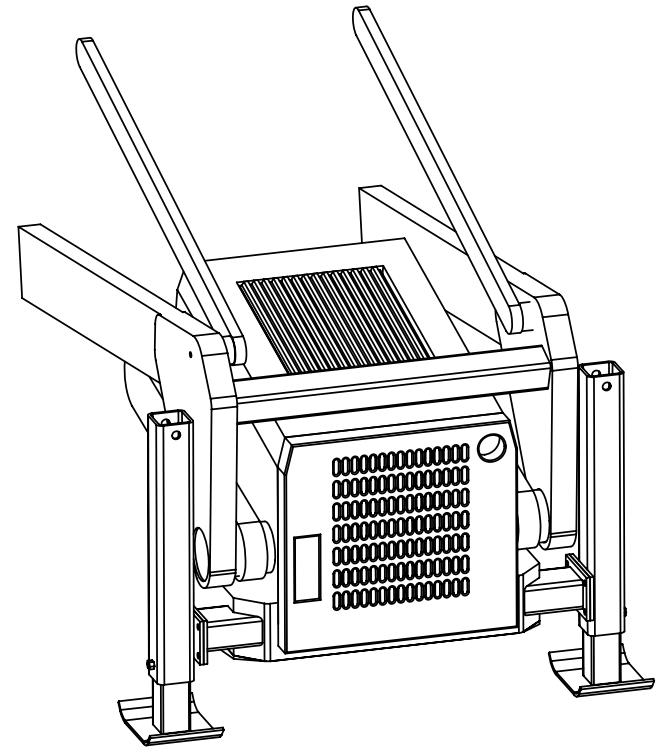
PROPRIETARY AND CONFIDENTIAL
THE INFORMATION CONTAINED IN THIS DRAWING IS THE SOLE PROPERTY OF DUTCHMAN INDUSTRIES INC. ANY REPRODUCTION IN PART OR AS A WHOLE WITHOUT THE WRITTEN PERMISSION OF DUTCHMAN INDUSTRIES INC. IS PROHIBITED.

ALL DIMENSIONS ARE IN INCHES

SCALE: SHEET 1 OF 1



WELD INTO PLACE



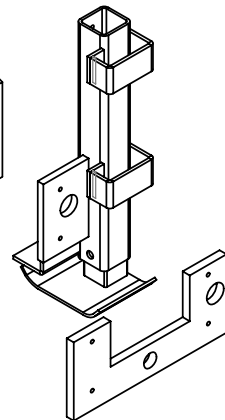
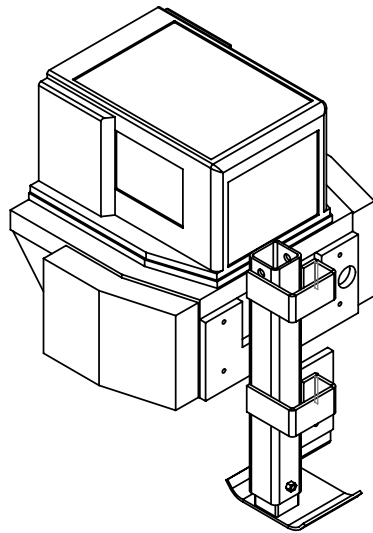
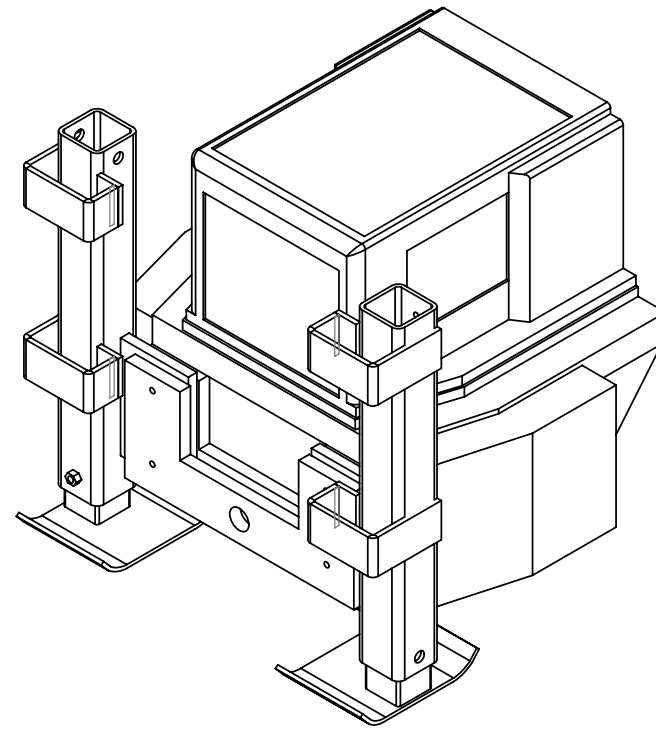
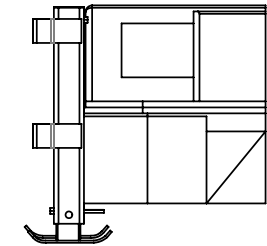
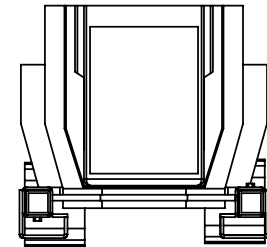
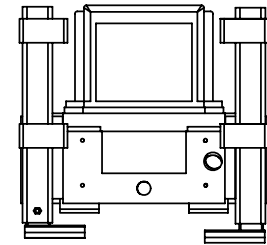
BOLT IN PLACE

STABILIZER MOUNTING

DATE
25/07/05

SKID STEER TYPE
NEW HOLLAND LX865

COMPANY
DUTCHMAN INDUSTRIES



STANDARD TOLERANCES
UNLESS OTHERWISE SPECIFIED:
FRACTIONS ± 1/16
.X ± .030
.XX ± .010
.XXX ± .005
ALL ANGLES ± 2

MATERIAL

DO NOT SCALE DRAWING

NAME	DATE
A.F.	06/11/06

DRAWN
CHECKED
ENG APPR.
MFG APPR.
Q.A.

COMMENTS:

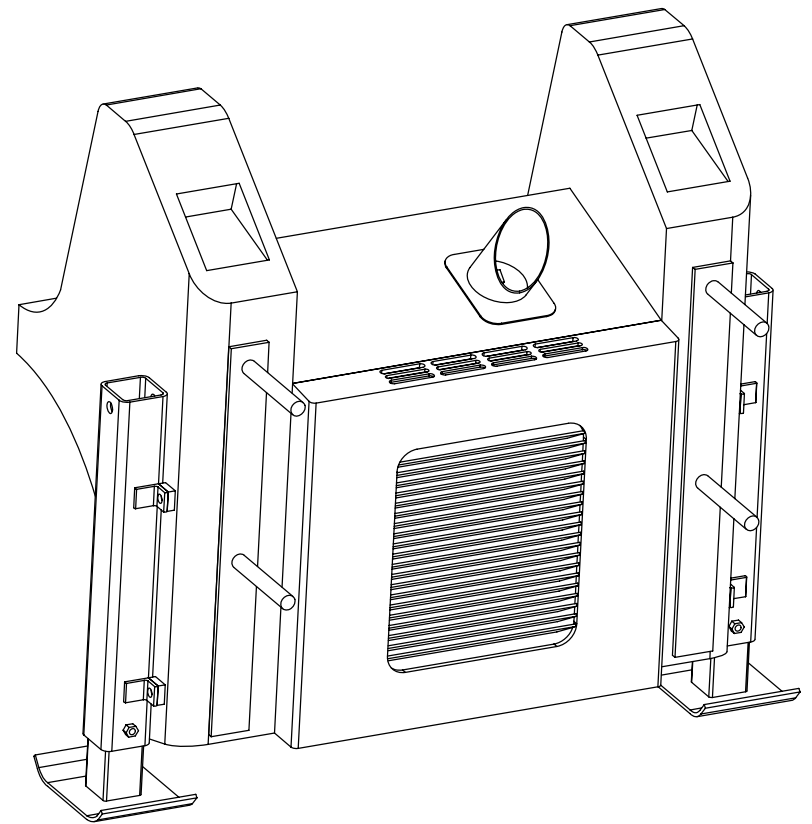
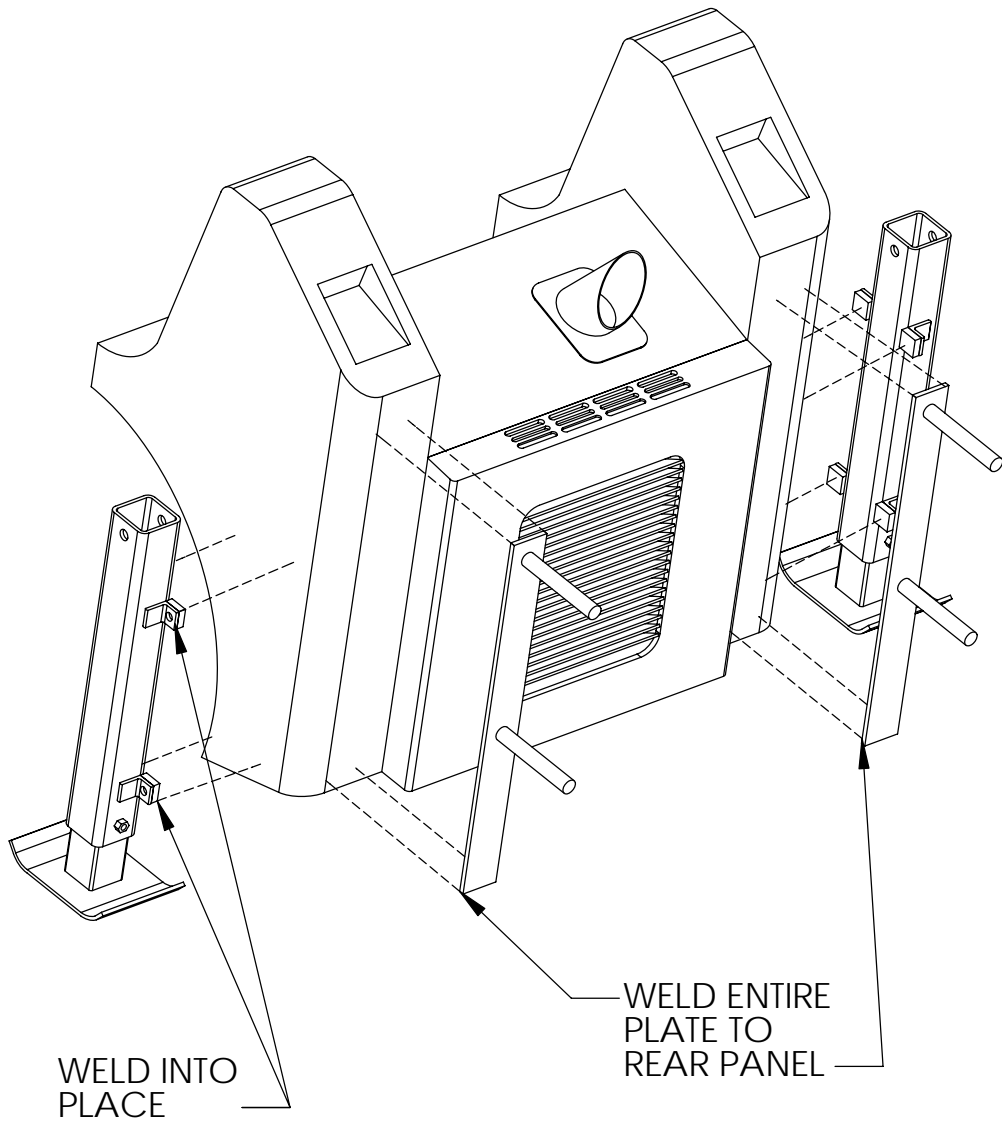
TITLE: NH ASV (TRACK)
STABILIZER HOOK UP
INSTRUCTIONS

SIZE	DWG. NO.	REV
A		

SCALE: SHEET 1 OF 1

PROPRIETARY AND CONFIDENTIAL
THE INFORMATION CONTAINED IN THIS DRAWING IS THE SOLE PROPERTY OF DUTCHMAN INDUSTRIES INC. ANY REPRODUCTION IN PART OR AS A WHOLE WITHOUT THE WRITTEN PERMISSION OF DUTCHMAN INDUSTRIES INC. IS PROHIBITED.

ALL DIMENSIONS ARE IN INCHES



STABILIZER MOUNTING

DATE
26/07/05

SKID STEER TYPE
TAKEUCHI TL140

COMPANY
DUTCHMAN INDUSTRIES